



ADMIRAL
STAGING

L & XL CABLE GUIDE

The L & XL cable guides are made for high-demand setups where many cables need routing. They can be mounted on truss 30 and 40 and can be fitted with a divider to separate power and signal cables. The sturdy centre and corner hinges can move 40° and 170° respectively, providing extra flexibility and reducing truss movement for a secure setup.



KEY FEATURES

Made for intense use

The L and XL cable guides both have wide gutters (108 mm for L, 220 mm for XL) that can route many cables at once.

Sturdy yet lightweight

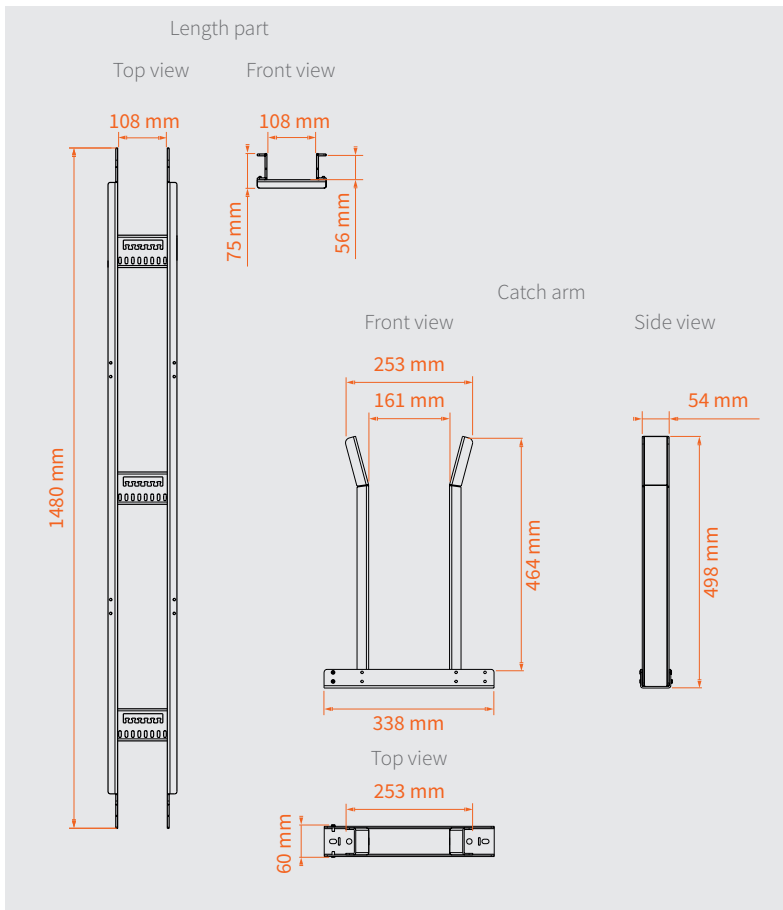
The length sections are made of aluminium to keep the weight low, while the hinges are made of steel.

Smart design for easy cable routing

The corner hinges have a reinforcement rod that serves as a guide for how long the cables should be to reach the full length.

www.admiralstaging.com

DIMENSIONS

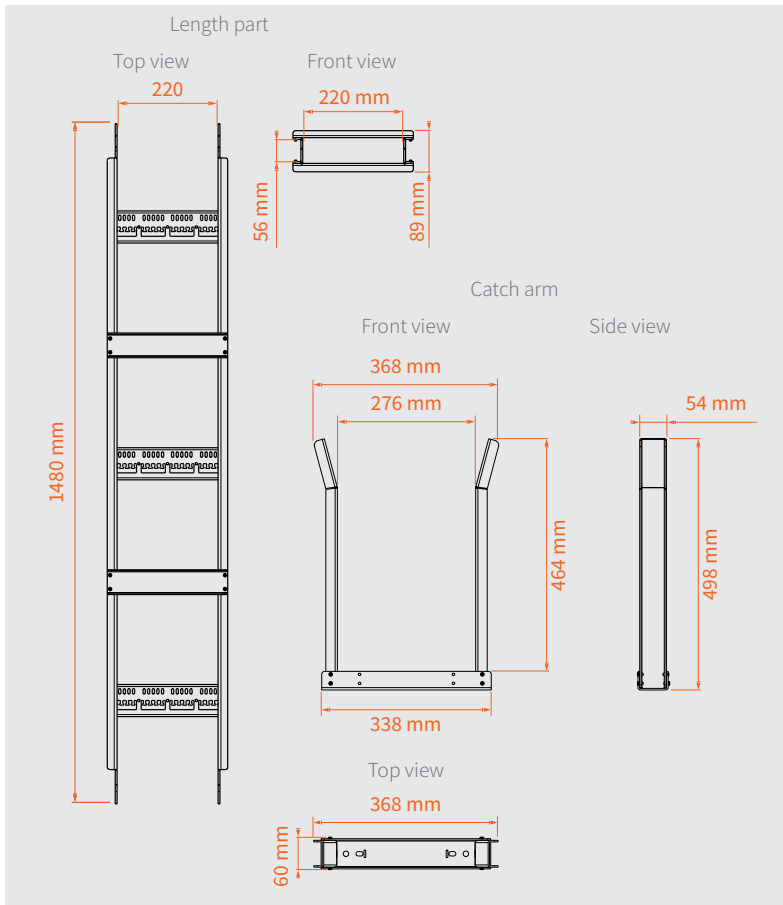


TECHNICAL DATA

L cable guide

Article code:	RIKGL...	
Material:	hinges:	steel
	lengths parts:	aluminium
Colour:	black gloss 30% (RAL 9005)	
Finish:	powder coated	
Dimensions:	3m Base height	4.5, 7.5, 10.5, 13.5, 16.5 and 19.5 m
	4.5m Base height	6, 7.5, 10.5, 12, 15, 16.5, 19.5, 21, 24 and 25.5 m
Max load:	430 kg (including self-weight)	

DIMENSIONS

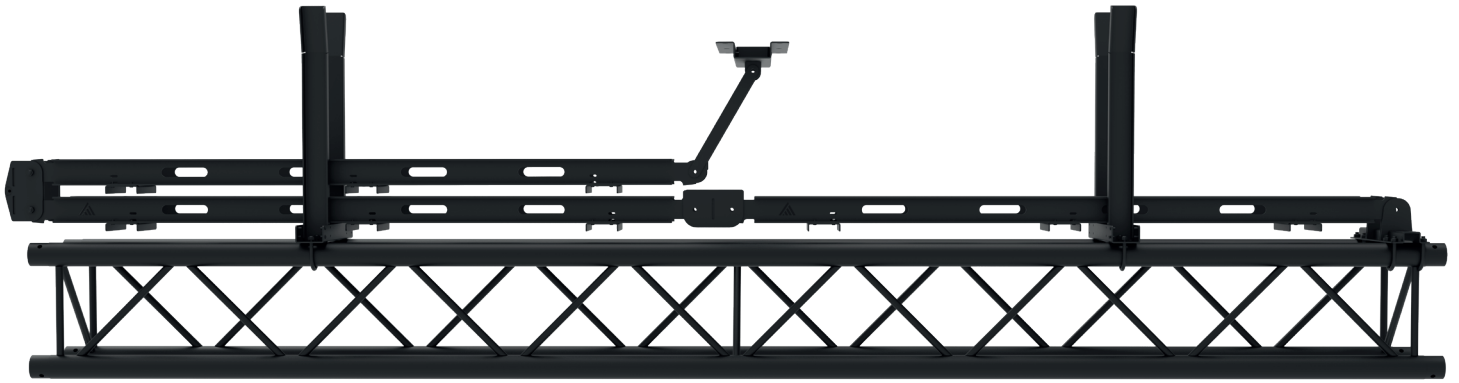


TECHNICAL DATA

XL cable guide

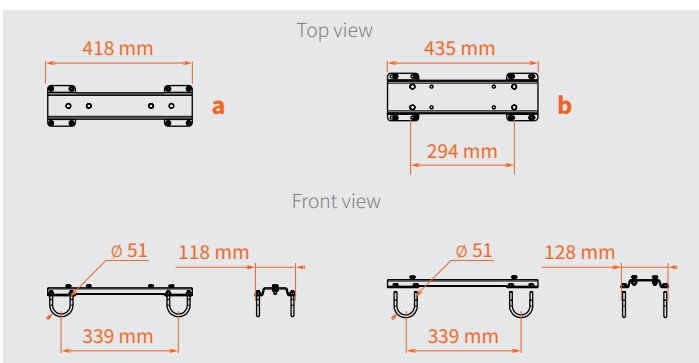
Article code:	RIKGPL...	
Material:	hinges:	steel
	lengths parts:	aluminium
Colour:	black gloss 30% (RAL 9005)	
Finish:	powder coated	
Dimensions:	3m Base height	4.5, 7.5, 10.5, 13.5, 16.5 and 19.5 m
	4.5m Base height	6, 7.5, 10.5, 12, 15, 16.5, 19.5, 21, 24 and 25.5 m
Max load:	430 kg (including self-weight)	

ASSEMBLY ON TRUSS



The L/XL cable guides fit truss 30 as standard and can be mounted using the included U-bolts. To mount the L/XL cable guide on truss 40, a matching adapter is available for separate purchase.

ADAPTER FOR 40 TRUSS



XL/L cable guide adapter for 40 truss black

Article code: RIKGXLV3040

EAN: 8720094422190

Material: steel

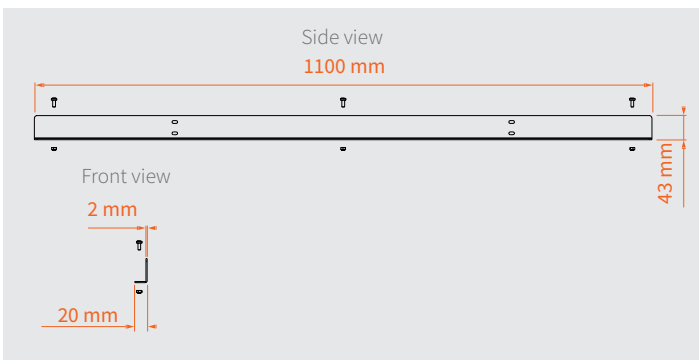
Finish: powder coated

Weight: 4.8 kg

Colour: black gloss 30% (RAL 9005)

Set includes bolts and nuts and contains 2 catch arm adapters (a) and one lower hinge adapter (b).

ACCESSORIES



XL/L divider insert

Article code: RIKGXLT10

RIKGXLT15

EAN: 8720094421674

8720094421681

Material: steel

Finish: powder coated

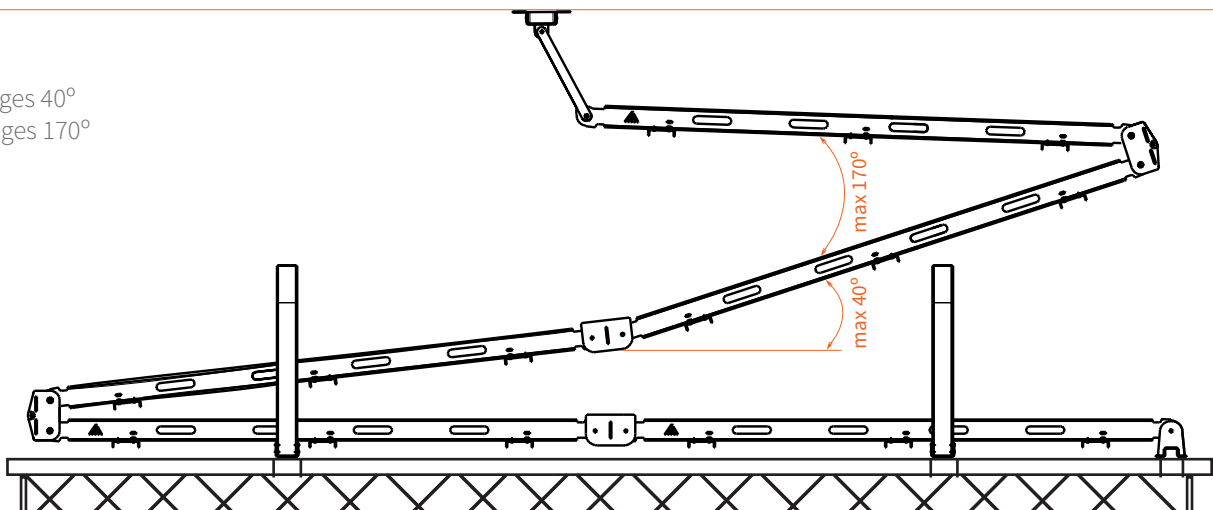
Description: unassembled assembled

Weight: 1.2 kg

Colour: black gloss 30% (RAL 9005)

* Check the divider manual to see how the divider insert can be assembled for each of this cable guide versions.

centre hinges 40°
corner hinges 170°



ADMIRAL
STAGING

| www.admiralstaging.com | Josink Kolkweg 10 | 7545 PR Enschede | The Netherlands | Tel: +31 53 4 301 201 |