



ADMIRAL
STAGING

STAGEDECK DOLLY

Cost-effective and a time saver, our Stagedeck dolly allows you to efficiently transport up to six stage decks at once. With a width of 59 cm, you can place four dollies side-by-side in a truck. The Stagedeck dolly comes in two versions, for 1 x 1 meter decks and 1 x 2 meter decks.



KEY FEATURES

Ergonomic design

The dolly is designed to allow stage decks to be easily slid into place, thus preventing excess pressure on your back while loading the cart.

Two safety measures

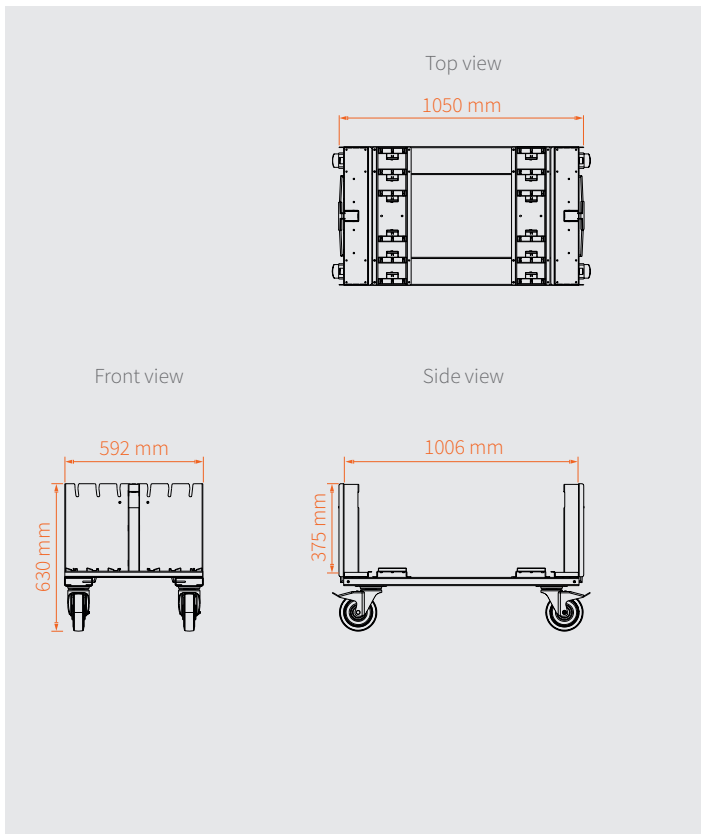
The locking bolt is the first safety measure to secure the decks, a lashing set ensures further safety during transport.

Easy to transport

Due to the compact design, the dollies do not take up a lot of space in a truck and they can also be easily lifted and moved.

www.admiralstaging.com

DIMENSIONS



TECHNICAL DATA

Stagedeck dolly 1 mtr

| | | |
|----------------|---------------|---------------|
| Assembled: | yes | no |
| Article code: | WASWCD15 | WASWCD25 |
| EAN: | 8720094425580 | 8720094425603 |
| Max load*: | 220 kg | |
| Dimensions cm: | 105 x 60 x 63 | |
| Weight: | 36 kg | |

Unassembled set WASWCD25 includes:

Stagedeck dolly basic length profile set

| | |
|---------------|---------------|
| Article code: | ZESWB41 |
| EAN: | 8720094425986 |
| Material: | steel |
| Finish: | galvanized |
| Weight: | 10.5 kg |

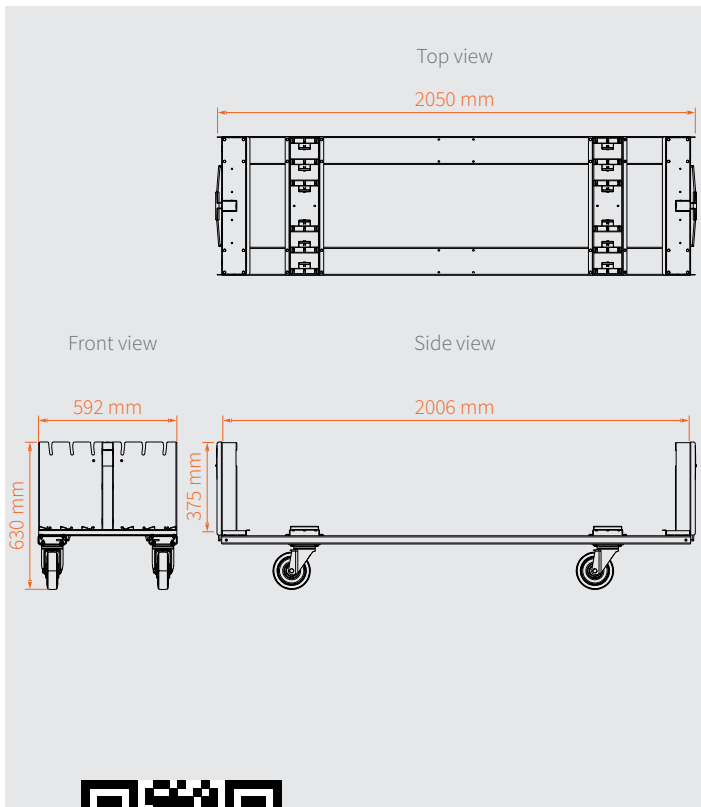
Stagedeck dolly side and bottom panel set

| | |
|---------------|---------------|
| Article code: | ZESWB40 |
| EAN: | 8720094425979 |
| Material: | steel |
| Finish: | galvanized |
| Weight: | 20.6 kg |

4x Swivel castor 125 mm with brake

| | |
|---------------|----------|
| Article code: | ZEWACW24 |
|---------------|----------|

Compatible with: Prolyte, Sixty82, Büttec ECO1, NEXT Truss



Stagedeck dolly 2 mtr

| | | |
|----------------|---------------|---------------|
| Assembled: | yes | no |
| Article code: | WASWCD20 | WASWCD30 |
| EAN: | 8720094425597 | 8720094425610 |
| Max load*: | 220 kg | |
| Dimensions cm: | 205 x 60 x 63 | |
| Weight: | 46 kg | |

Unassembled set WASWCD30 includes:

Stagedeck dolly basic length profile set

| | |
|---------------|---------------|
| Article code: | ZESWB42 |
| EAN: | 8720094425993 |
| Material: | steel |
| Finish: | galvanized |
| Weight: | 20.9 kg |

Stagedeck dolly side and bottom panel set

| | |
|---------------|---------------|
| Article code: | ZESWB40 |
| EAN: | 8720094425979 |
| Material: | steel |
| Finish: | galvanized |
| Weight: | 20.6 kg |

4x Swivel castor 125 mm with brake

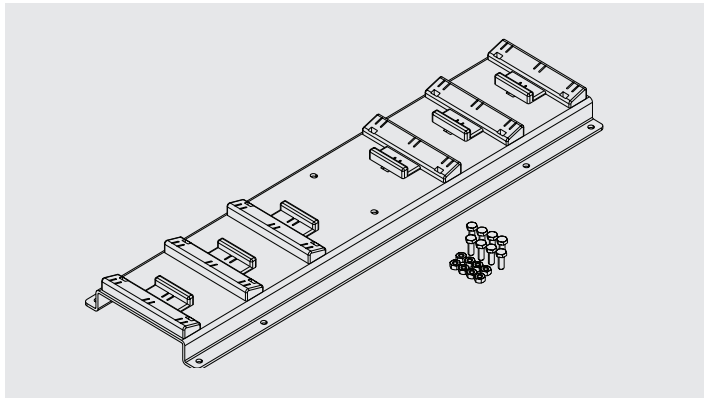
| | |
|---------------|----------|
| Article code: | ZEWACW24 |
|---------------|----------|

Compatible with: Prolyte, Sixty82, Büttec ECO1, NEXT Truss

*The Max load is determined according to the applicable standards and guidelines.



ACCESSORIES



Omega plate w plastic inserts for Stagedeck dolly

Article code: ZESWB38

EAN: 8720094422572

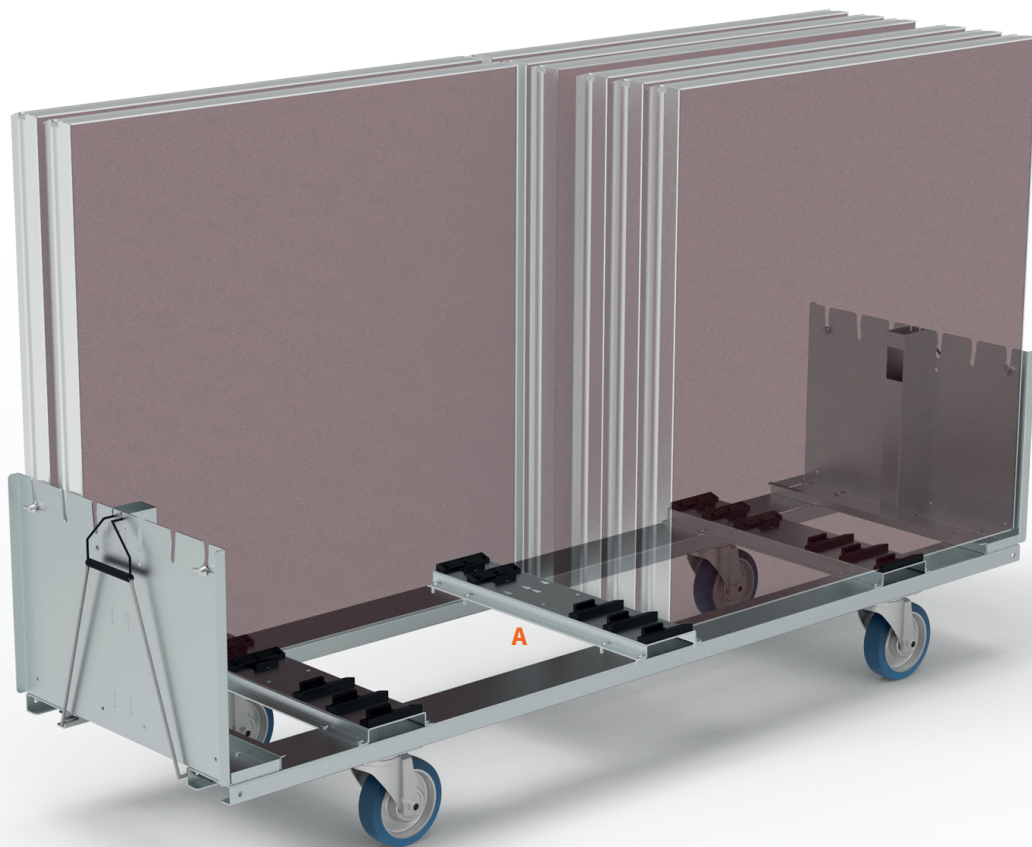
Material: steel / nylon

Finish: galvanized

Dimensions: 590 x 165 x 27 mm (L x W x D)

Bolt size: M6

Weight: 2.9 kg



To transport 1 x 1 m decks on a 2-meter Stagedeck dolly, the Omega plate (A) can be mounted in the middle of the length profiles.



ADMIRAL
STAGING

| www.admiralstaging.com | Josink Kolkweg 10 | 7545 PR Enschede | The Netherlands | Tel: +31 53 4 301 201 |