



**ADMIRAL**  
STAGING

Original user manual

# SIDELIGHT TOWER



Manufacturer:

**Rolight Theatertechniek B.V.**

Josink Kolkweg 10

7545 PR Enschede , The Netherlands

Phone (+31)53 432 06 44

info@rolight.nl

www.rolight.nl

Distributed by ADMIRAL

VERSION 02  
March 2026  
SKU: WAM2J18  
WAM2J19  
WAM2J20  
WAM2J21

[www.admiralstaging.com](http://www.admiralstaging.com)

# CONTENTS

1. INTRODUCTION
2. SAFETY INSTRUCTIONS
3. SCOPE
4. LIMITATIONS OF USE
5. TECHNICAL DATA
6. IDENTIFICATION
7. EXPLANATION OF THE STICKER
8. ASSEMBLY INSTRUCTIONS
9. DISASSEMBLY INSTRUCTIONS
10. STORAGE
11. MAINTENANCE & REJECTION CRITERIA
12. WARRANTY
13. EC DECLARATION OF CONFORMITY

## 1. INTRODUCTION

The ADMIRAL SIDELIGHT TOWER is designed to easily transport pre-rigged equipment and set up a lighting scene. The SIDELIGHT TOWER is equipped with an extendable ladder that can be pulled up to create a lighting stand. It is mostly used in temporary setups in the entertainment industry, like event venues, theatres, etc.

ADMIRAL has endeavoured to deliver the highest degree of accuracy possible. However continuous improvement of our products is ADMIRAL policy. Therefore product specifications are subject to change without notice.

Readers and users are encouraged to notify ADMIRAL of errors and send in suggestions for improvements. All communications will be carefully considered for future printings of this manual and changes to our products.

## 2. SAFETY INSTRUCTIONS

This user manual must be read and understood prior to assembly, setup and servicing. All people using and servicing the SIDELIGHT TOWER must familiarise themselves with the safety instructions and user guidelines written in this manual. This manual needs to be accessible for all users at all times.

### LEGEND



#### DANGER

**DANGER:** Indicates a hazardous situation which, if not avoided, will result in death or serious injury. This signal word is to be limited to the most extreme situations.



#### WARNING

**WARNING:** Indicates a hazardous situation which, if not avoided, could result in death or serious injury.



#### CAUTION

**CAUTION:** Indicates a hazardous situation which, if not avoided, could result in minor or moderate injury.

#### NOTICE

**NOTICE:** Addresses practices not related to personal injury.

#### SAFETY INSTRUCTIONS

**SAFETY INSTRUCTIONS:** Is used for lists of steps, procedures or instructions that might otherwise substitute a DANGER, WARNING or CAUTION notification. Note that equivalent phrases, such as SAFE OPERATION PROCEDURES or SAFE SHUT DOWN PROCEDURE, can be used in place of the words "SAFETY INSTRUCTION".



## CAUTION

DO NOT install the SIDELIGHT TOWER without the following precautions:

- A SIDELIGHT TOWER must be taken out of service immediately if, during use, repair or maintenance, damages are discovered.
- Remove people from the area during installation.
- Use solely instructed and/or trained personnel.
- Wear appropriate Personal Protective Equipment (PPE) such as hard hats and gloves during installation.
- Make sure there is adequate amount of working light during the installation of the product.
- Use an additional, certified safety cable to secure the load into the SIDELIGHT TOWER.
- Use certified clamps or couplers intended for the respective tube diameters from the supporting structure and with a suitable SWL.

### 3. SCOPE

The intended use of the SIDELIGHT TOWER is to transport pre-rigged lighting equipment and quickly set up a lighting position. The tower can be equipped with theatre luminaires and other stage lighting fixtures.

The SIDELIGHT TOWER is available in 60 cm and 80 cm widths with either a symmetrical or asymmetrical ladder position, depending on the type of fixtures used and the required front clearance for positioning and aiming.

To operate the SIDELIGHT TOWER safely, the ladder may be loaded up to a maximum of 40 kg before lifting and must always be raised by two people. The maximum extended height of the SIDELIGHT TOWER is 3 m. After the ladder has been raised and secured, it can be loaded up to a maximum of 100 kg.

Any other use is considered misuse. The user is solely responsible for any damage or injury resulting from such use.



## WARNING

Check local legislation for the application of use.

### 4. LIMITATIONS OF USE



## WARNING

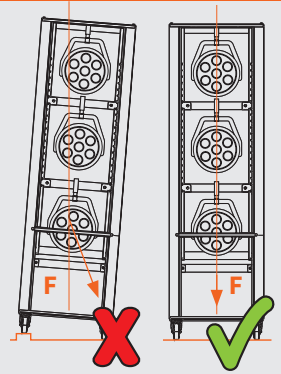
Exceeding the limitations of use can severely endanger the audience and users.

- The SIDELIGHT TOWER can be operated from -20° up to 60° Celsius.
- Do not exceed the maximum load stated on the product.
- Only load the SIDELIGHT TOWER in a vertical direction.
- Use an additional counterweight of at least 230 kg on the SIDELIGHT TOWER to prevent instability.
- Do not use the SIDELIGHT TOWER to guide currents for electric potential bonding.
- Do not re-zinc steel components as they might be subject to hydrogen embrittlement.
- Make sure the resulting forces on the supporting structure are approved by a competent person before applying the load.
- The SIDELIGHT TOWER must be inspected by a competent person as often as required but with a minimum of 1 x per year. Records of these inspections must be kept.
- A damaged SIDELIGHT TOWER shall be taken out of service.
- Outdoor use shall be approved by a competent person and might influence the load capacity. Do not expose the product to full rain or snow.
- Outdoor use is the sole responsibility of the operator.
- It is also imperative to observe the local accident prevention regulations and/or occupational health and safety regulations.
- The SIDELIGHT TOWER construction might need to have electric potential bonding.
- Electrical fixtures supported by the SIDELIGHT TOWER must also comply with the local accident prevention regulations and occupational health and safety regulations separately.

- The support structure, on which the SIDELIGHT TOWER is used, must have lightning protection when used outdoors.
- Ensure that the clamps and couplers used for installing the lighting equipment are specifically designed to fit the 50 mm diameter of the tubes within the ladder. Using couplers intended for other diameters can reduce the allowable working load and affect the safety of the installation.
- Inspect equipment before every use.
- In case of use in the vicinity of saltwater, the product shall be rinsed regularly with fresh water.
- Make sure the surface is dry and free of dirt.
- Solely use by ADMIRAL approved parts to replace damaged or lost parts.

**WARNING**

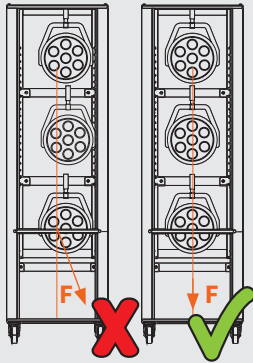
Place the SIDELIGHT TOWER on a level surface and set the brakes immediately. This ensures it remains secure and stable during use.



**WARNING**

Avoid any actions that could cause the SIDELIGHT TOWER to become unbalanced.

Always make sure the SIDELIGHT TOWER is centric loaded.



**WARNING**

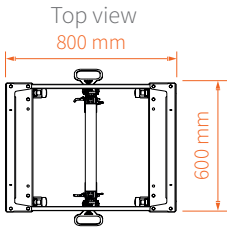
This product is NOT suited for dynamic loading situations.

## 5. TECHNICAL DATA

### Sidelight tower symmetrical

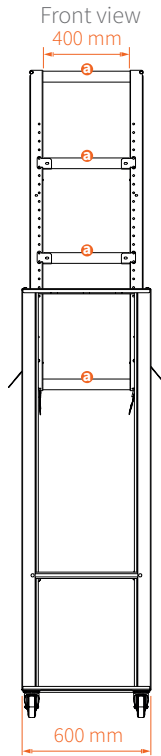
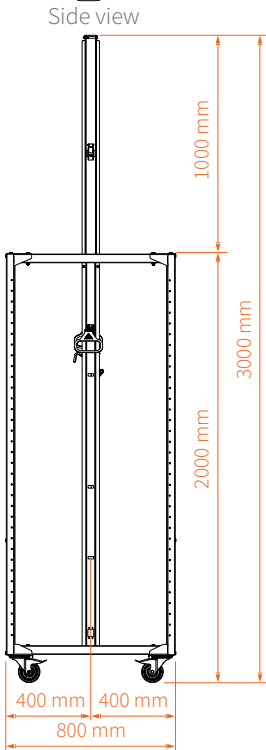
#### W 60 with locking

Suitable for compact fixtures such as LED PARs, blinders and strobes.



**MAX  
LOAD  
100Kg**

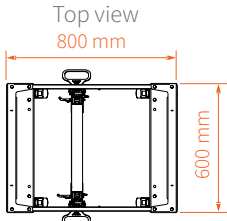
⌀ tube diameter  
⌀ 50 mm



Article code:	WAM2J19
EAN:	8720094422510
Max load:	40 kg (before ladder is lifted and secured) 100 kg (after ladder is lifted and secured)
Max load tube:	50 kg
Diameter tube:	50 mm
Dimensions ladder down (L x W x H):	800 x 600 x 2000 mm including castors
ladder up (L x W x H):	800 x 600 x 3000 mm including castors
Lifting height:	100 cm
Castor:	4 x 100 mm castors with brake
Material	ladder: steel handles: steel panels: steel hanging tubes: aluminium length parts: steel
Weight:	56 kg
Colour:	black gloss 30% (RAL 9005) orange gloss 30% (RAL 2008)
Finish:	powder coated
Not included:	Sidelight tower tube 60 cm incl fork set

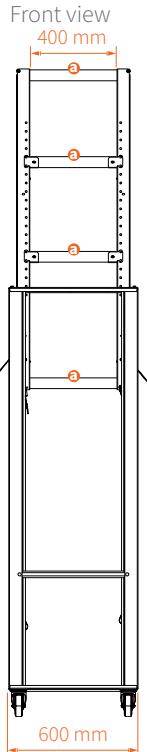
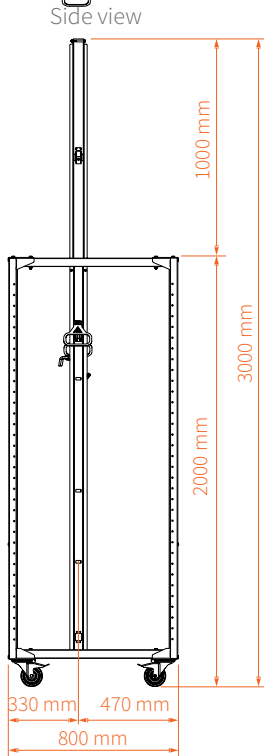
## Sidelight tower asymmetrical W 60 with locking

Creates additional front clearance for fixtures such as profile spots.



**MAX  
LOAD  
100 kg**

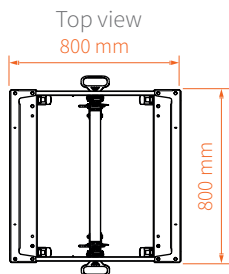
a tube diameter  
Ø 50 mm



Article code:	WAM2J18
EAN:	8720094422381
Max load:	40 kg (before ladder is lifted and secured) 100 kg (after ladder is lifted and secured)
Max load tube:	50 kg
Diameter tube:	50 mm
Dimensions ladder down (L x W x H):	800 x 600 x 2000 mm including castors
ladder up (L x W x H):	800 x 600 x 3000 mm including castors
Lifting height:	100 cm
Castor:	4 x 100 mm castors with brake
Material ladder:	steel
handles:	steel
panels:	steel
hanging tubes:	aluminium
length parts:	steel
Weight:	56 kg
Colour:	black gloss 30% (RAL 9005) orange gloss 30% (RAL 2008)
Finish:	powder coated
Not included:	Sidelight tower tube 60 cm incl fork set

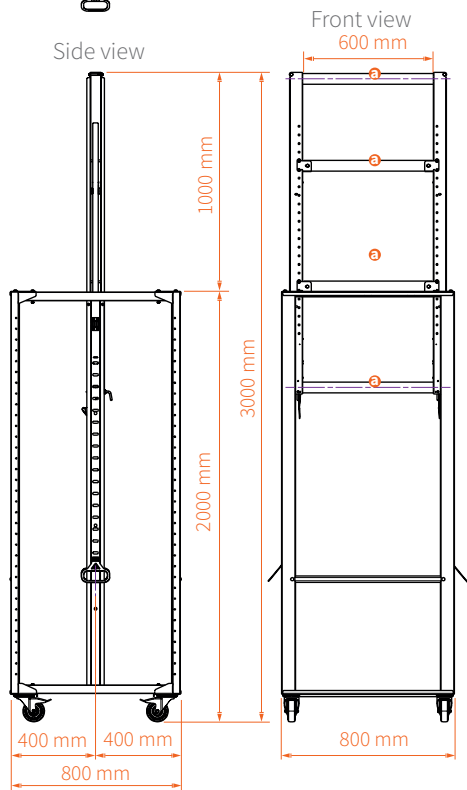
## Sidelight tower symmetrical W 80 with locking

Provides additional mounting width for compact fixtures and multiple luminaires.



**MAX  
LOAD  
100kg**

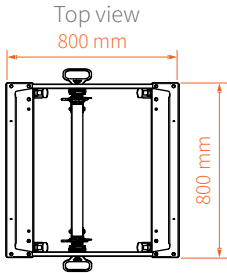
⌀ tube diameter  
⌀ 50 mm



Article code:	WAM2J21
EAN:	8720094429984
Max load:	40 kg (before ladder is lifted and secured) 100 kg (after ladder is lifted and secured)
Max load tube:	50 kg
Diameter tube:	50 mm
Dimensions ladder down (L x W x H):	800 x 600 x 2000 mm including castors
ladder up (L x W x H):	800 x 600 x 3000 mm including castors
Lifting height:	100 cm
Castor:	4 x 100 mm castors with brake
Material ladder:	steel
handles:	steel
panels:	steel
hanging tubes:	aluminium
length parts:	steel
Weight:	60 kg
Colour:	black gloss 30% (RAL 9005) orange gloss 30% (RAL 2008)
Finish:	powder coated
Not included:	Sidelight tower tube 80 cm incl fork set

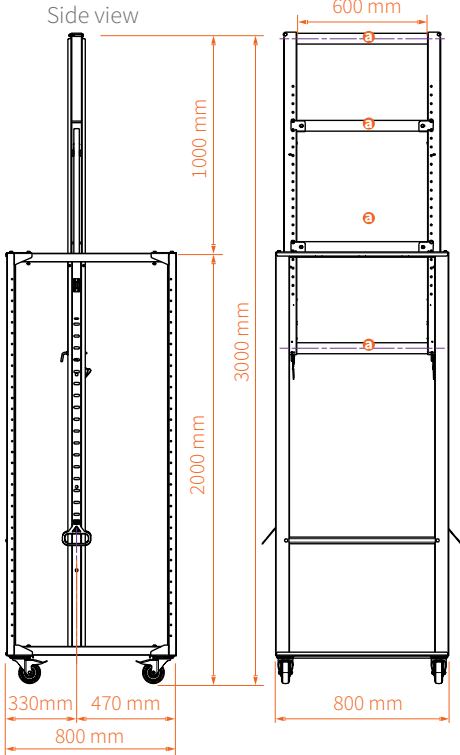
## Sidelight tower asymmetrical W 80 with locking

Combines additional width with extra front clearance for larger fixtures such as profile spots.



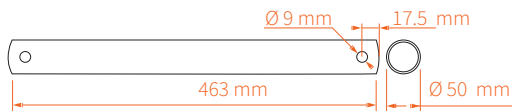
**MAX  
LOAD  
100kg**

⊘ tube diameter  
⊘ Ø 50 mm



Article code:	WAM2J20
EAN:	8720094429977
Max load:	40 kg (before ladder is lifted and secured) 100 kg (after ladder is lifted and secured)
Max load tube:	50 kg
Diameter tube:	50 mm
Dimensions ladder down (L x W x H):	800 x 600 x 2000 mm including castors
ladder up (L x W x H):	800 x 600 x 3000 mm including castors
Lifting height:	100 cm
Castor:	4 x 100 mm castors with brake
Material ladder:	steel
handles:	steel
panels:	steel
hanging tubes:	aluminium
length parts:	steel
Weight:	60 kg
Colour:	black gloss 30% (RAL 9005) orange gloss 30% (RAL 2008)
Finish:	powder coated
Not included:	Sidelight tower tube 80 cm incl fork set

## Sidelight tower tube 60cm incl fork set



Article code:	WAM2P21
EAN:	8720094425177
Max load:	50 kg
Diameter tube:	50 mm
Length:	463 mm
Material:	aluminium
Weight:	0.82 kg
Colour:	black gloss 30% (RAL 9005)
Finish:	powder coated
Bolt type:	M8
Compatible with:	Sidelight tower W 60 with locking
Included:	support fork set

## Sidelight tower tube 80cm incl fork set



Article code:	WAM2P23
EAN:	8720094423357
Max load:	50 kg
Diameter tube:	50 mm
Length:	663 mm
Material:	aluminium
Weight:	1.08 kg
Colour:	black gloss 30% (RAL 9005)
Finish:	powder coated
Bolt type:	M8
Compatible with:	Sidelight tower W 80 with locking
Included:	support fork set

## Applicable Directives, Regulations, Standards and Information Papers

In compliance with the Machinery Directive 2006/42/EC annex II

The following harmonized standards have been applied (or parts/clauses of):

EN 1990 Eurocode	- Basis of structural design
EN 1993 Eurocode 3	- Design of steel structures

## 6. IDENTIFICATION

### Symmetrical vs asymmetrical

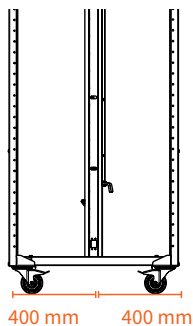
The SIDELIGHT TOWER is available in two width variants: 60 and 80.

Each width variant is available in two configurations: symmetrical and asymmetrical. The symmetrical configuration is intended for compact fixtures such as LED PAR spotlights, blinders and strobes.

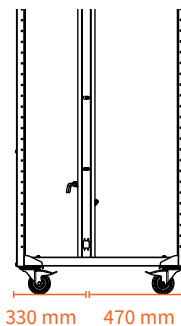
The asymmetrical configuration provides additional forward clearance, making it suitable for fixtures requiring more space in front of the mounting position, such as profile spots.

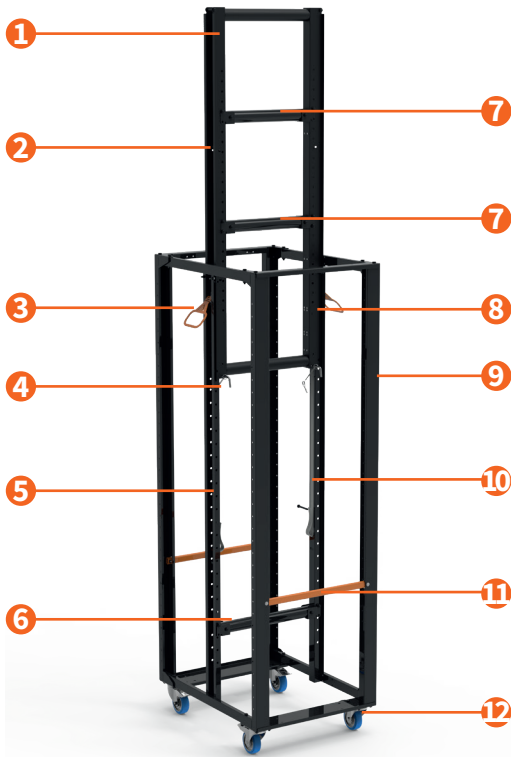
The SIDELIGHT TOWER is designed for static loading only and is not suitable for dynamic loading conditions.

### Symmetrical



### Asymmetrical

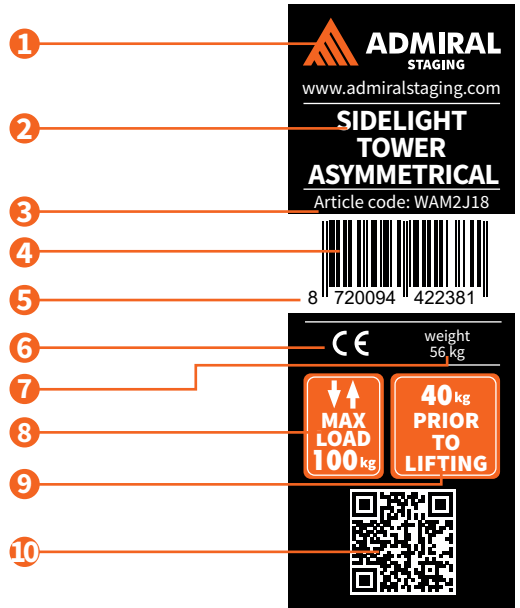




### SIDELIGHT TOWER

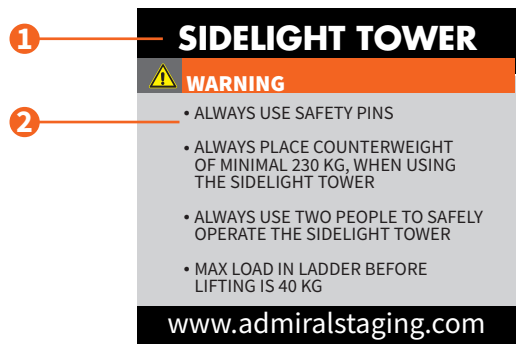
- 1 Ladder
- 2 Adjustable roller wheel
- 3 Orange pull handle
- 4 Safety pin
- 5 Omega profiles
- 6 Shinlight tube
- 7 Tube inside ladder
- 8 Locking system
- 9 Side panel
- 10 Pulling strap
- 11 Orange oval handle
- 12 Castor with brake

## 7. EXPLANATION OF THE STICKER



### Product sticker

- 1 Brand name
- 2 Product name
- 3 Article code
- 4 Barcode
- 5 EAN code
- 6 CE Marking
- 7 Weight
- 8 Max load
- 9 Max load prior to lifting
- 10 QR code to online manual



### Warning sticker

- 1 Product name
- 2 Limitations of use

# 8. ASSEMBLY INSTRUCTIONS

## WARNING

Inspect the SIDELIGHT TOWER before use. Make sure all components are in place and in good order. If damaged, mark the item clearly and take out of service.

Make sure the SIDELIGHT TOWER is dry and free from dirt.

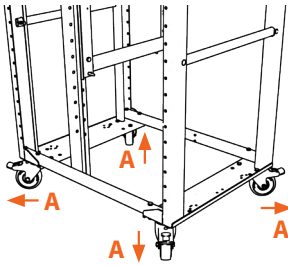
\*See chapter 11 for further instructions!

## WARNING

Use an additional counterweight (sandbag or similar) of at least 230 kg on the SIDELIGHT TOWER to prevent instability.

### Step 1

Place the SIDELIGHT TOWER in the desired position. Swivel the 4 castors outwards and lock them (A) for better stability.

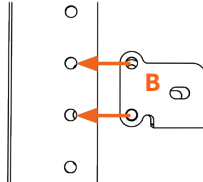


## WARNING

Before the ladder is pulled up, a maximum load of 40 kg can be hung in the ladder.

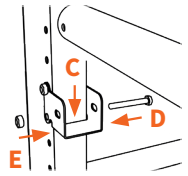
### Step 2

Determine the desired position for the tubes inside the ladder. Slide the fork set (B) provided with the tube into place and secure it by using the included bolts in the pre-drilled holes. Repeat this on the other side.



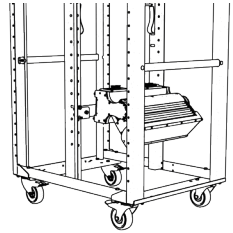
### Step 3

Place the tube (C) in the fork. Push the bolts (D) through the holes and tighten the nuts (E) with a minimum torque setting of 10 Nm.



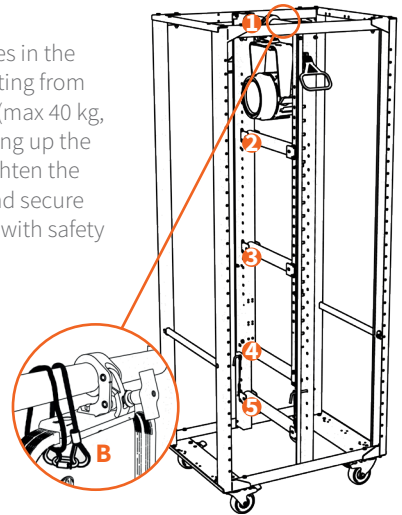
### Step 4

If required, the SIDELIGHT TOWER tube 60 cm / 80 cm can be mounted below the ladder to create a shinlight. Repeat steps 2 and 3 for installation.



### Step 5

Hang fixtures in the ladder, starting from the top (1) (max 40 kg, before pulling up the ladder). Tighten the couplers and secure the fixtures with safety cables (B).

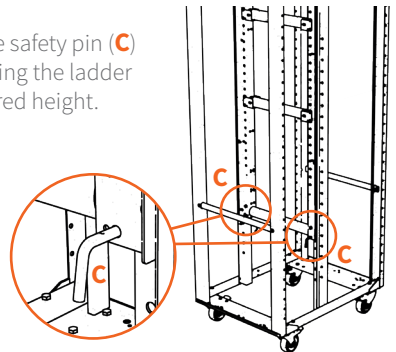


## WARNING

Always make sure each fixture is secured with a safety cable.

### Step 6

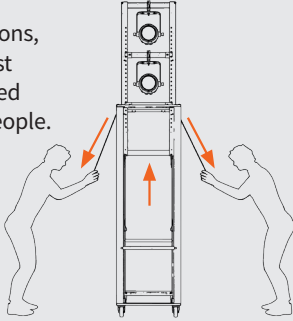
Pull out the safety pin (C) before pulling the ladder to the desired height.





## WARNING

For safety reasons, the ladder must always be pulled up with two people.

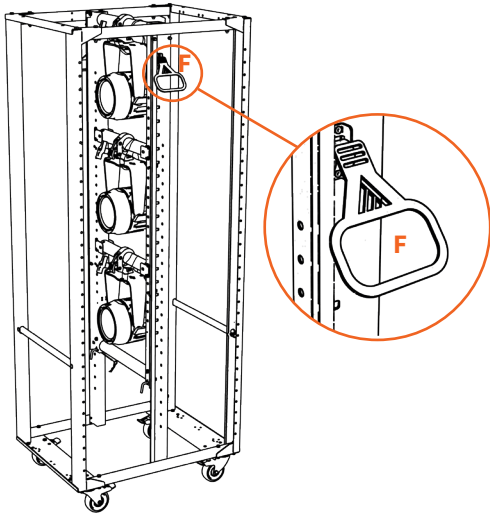


## NOTICE

If one person accidentally releases the orange pull handle, the locking system in the SIDELIGHT TOWER will automatically engage to stop and secure the ladder.

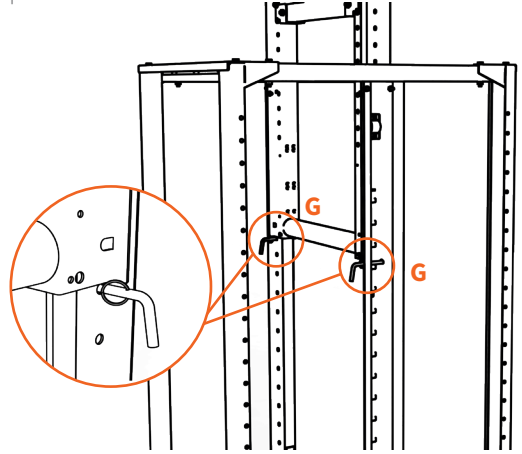
### Step 7

Pull the orange handles (F) downwards and extend the ladder to the desired position. Release the tension from the pulling strap on one side, and the locking system will hold the ladder in position. Once the ladder is locked, the second orange pull handle can be released.



### Step 8

Once the ladder is positioned, secure it by placing the safety pins (G) into the holes of the omega profiles.



### Step 9

Repeat Step 5 to hang fixtures on the lower tubes of the ladder and, when used, to the additional tube below the ladder (to a maximum of 100 kg).

## 9. DISASSEMBLY INSTRUCTIONS

### WARNING

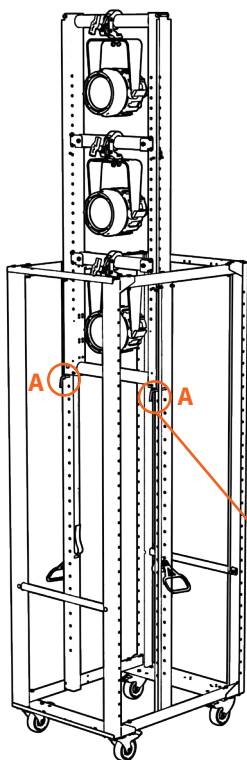
Always remove the additional tube under the ladder before lowering the ladder to avoid any risk of damage.

#### Step 1

If a SIDELIGHT TOWER tube 60 cm / 80 cm (1) is installed below the ladder, remove the fixture, safety cable and tube first.

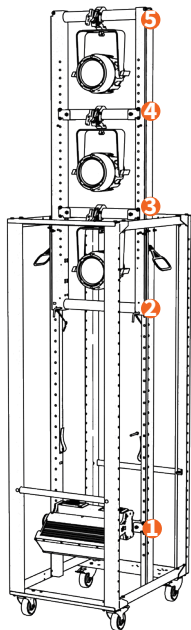
#### Step 2

Remove the fixtures and safety cables from the lower tube (2) in the ladder.



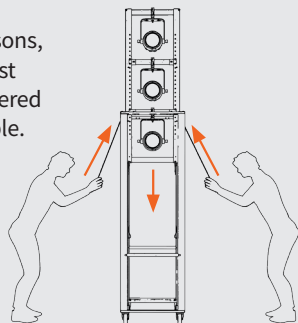
#### Step 3

Remove the two safety pins (A) from the omega profiles.



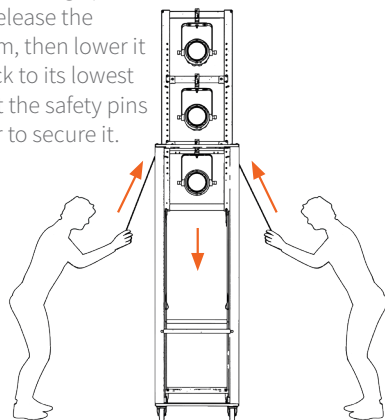
### WARNING

For safety reasons, the ladder must always be lowered with two people.



#### Step 4

Pull down the orange pull handles to release the locking system, then lower it carefully back to its lowest position. Put the safety pins in the ladder to secure it.



#### Step 5

Repeat Step 2 to remove the fixtures from the top tubes (3 4 5) in the ladder.

#### Step 6

Remove the counterweight, unlock the castors and move the SIDELIGHT TOWER to storage.

## 10. STORAGE

- The SIDELIGHT TOWER must be stored in a dry, non-aggressive environment.
- Avoid vibrations. Rubbing parts can cause excessive wear and tear.
- Make sure the parts cannot bend.

## 11. MAINTENANCE & REJECTION CRITERIA



### CAUTION

When replacing parts, only use genuine ADMIRAL components.

### SAFETY INSTRUCTIONS

The SIDELIGHT TOWER hardly needs any maintenance under normal use and environmental circumstances. For safety reasons however, all parts must be checked regularly for dirt, damages, loss and corrosion.

The SIDELIGHT TOWER shall be checked in compliance with the local law by a competent person. Checking shall take place as often as required but with a minimum of 1 x per year. In case of doubt contact ADMIRAL.



### WARNING

If damaged, mark the item clearly and take it out of service.

- Missing or damaged parts shall be replaced by genuine ADMIRAL components solely.
- If damaged, mark the item clearly and take out of service.
- Check all components for damages like cracks, deformations, scratches and corrosion. Damaged and corroded parts shall be rejected and thrown away.
- In general, scratches > 10% of the wall thickness mean the products need to be rejected from use.
- In general, deformations > 10% of a straight line from the outer surface mean the products need to be rejected from use.
- Remove all sharp and rough feeling edges and surfaces by using sand paper or a file.
- Check pulling strap for damage. If damaged, replace.
- Check welds for cracks. If cracked, replace.

## 12. WARRANTY

- For a period of 24 months we will repair, free of charge, any damage attributable to faulty materials or workmanship under the condition that the equipment is forwarded, freight paid, to our warehouse or one of the ADMIRAL distributors' warehouses.
- The warranty-period begins with the day of the delivery, proven by a purchase receipt like an invoice or delivery note or their copies.
- The warranty does not cover damage due to transport, negligent handling, overloading the equipment or parts subject to normal wear and tear signs. Nor damages that originate from a case of misuse because of non observance of the safety regulations in this instruction manual.
- The warranty will be invalid when other parts than the original ADMIRAL parts have been used or modifications of our design have been made by third parties.
- Warranty repairs do not renew nor extend the warranty-period.
- In case of a claim that falls under the warranty, e.g. a malfunction or spare part requirements please contact your point of sale or ADMIRAL.
- The manufacturer is not liable for indirect consequential damage and financial loss.
- The manufacturer shall not be liable for any changes made to the SIDELIGHT TOWER parts nor for any damage resulting from such changes.

# 13. EC DECLARATION OF CONFORMITY



## EC-DECLARATION OF CONFORMITY FOR MACHINERY (2006/42/EG Annex II)

Rolight Theatertechniek  
Josink Kolkweg 10  
7545 PR Enschede  
The Netherlands

Herewith declares that:

### **ADMIRAL “SIDELIGHT TOWER”; WAM2J18, WAM2J19, WAM2J20 and WAM2J21**

- Is in compliance with the Machinery Directive 2006/42/EC annex II

The following harmonized standards have been applied (or parts/clauses of):

- EN1990 Eurocode - Basis of structural design
- EN1993 Eurocode 3 - Design of steel structures

Enschede , The Netherlands 12-March-2026

Ms. E. Dijk  
Owner Rolight Theatertechniek b.v.



**Rolight**



**ADMIRAL**  
STAGING

| [www.admiralstaging.com](http://www.admiralstaging.com) | Josink Kolkweg 10 | 7545 PR Enschede |  
| The Netherlands | Tel: +31 53 4 301 201 |