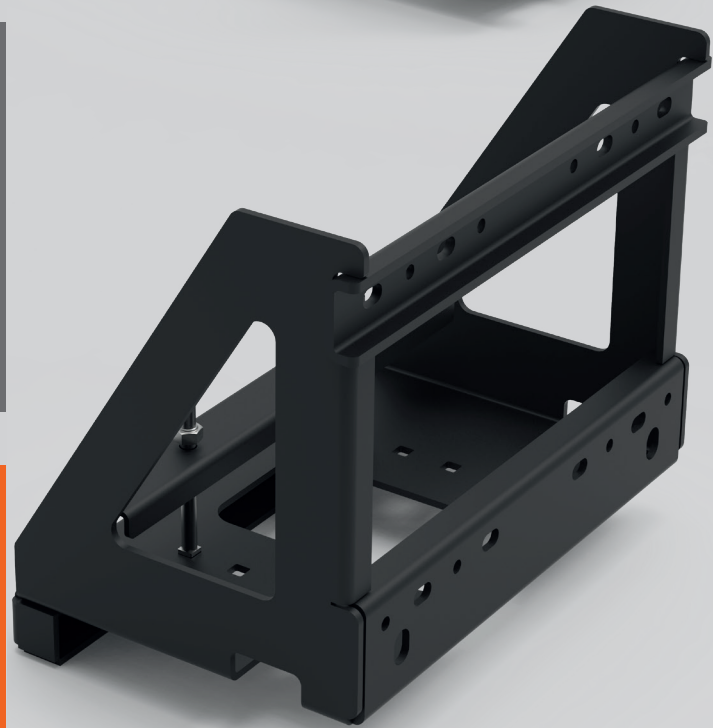
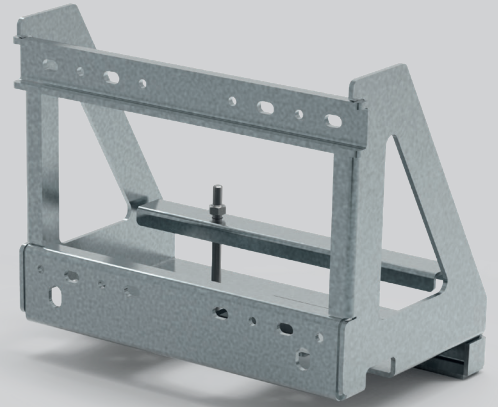




**ADMIRAL**  
STAGING

# TRUSS WALL MOUNT 30

Install your truss construction between walls without extra ceiling suspension using our Truss Wall Mount 30. Each Truss mount supports up to 400 kg, including the weight of the truss construction. Available in both black and silver versions.



## KEY FEATURES

### **Ideal for smaller venues**

A practical and convenient solution for rigging truss in compact spaces like classrooms, showrooms and studios.

### **Flexible installation**

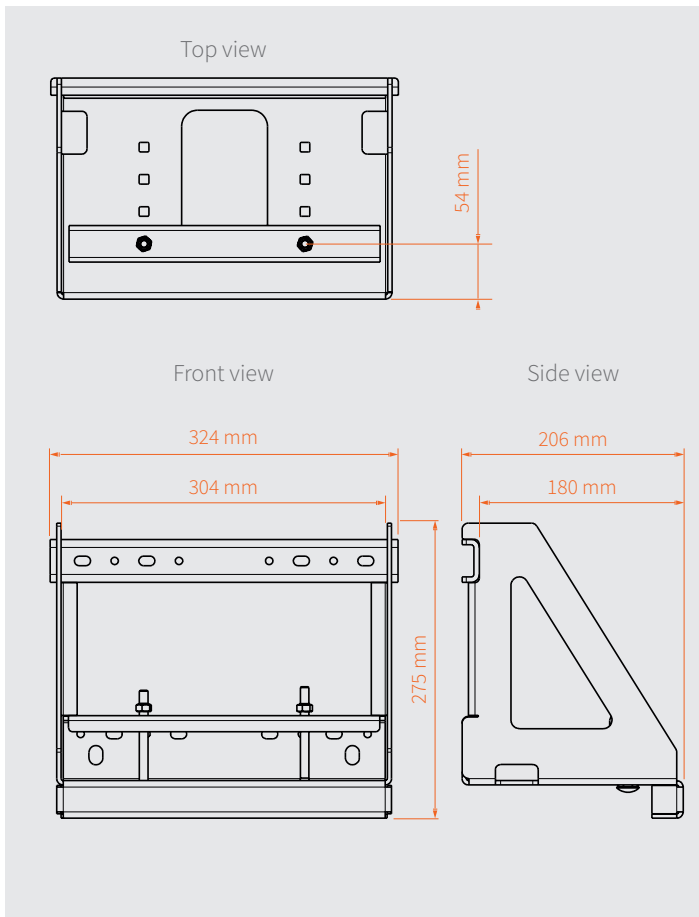
With multiple mounting holes and an adjustable fixation profile, it provides increased versatility during installation.

### **Sturdy design**

It has a robust steel construction reinforced with plates on the sides.

[www.admiralstaging.com](http://www.admiralstaging.com)

## DIMENSIONS



## TECHNICAL DATA

### Truss wall mount 30 black

Article code:	RIHTWB30
EAN:	8720094422268
Max load:	400 kg
Material:	steel
Dimensions:	324 x 206 x 275 mm (L x W x H)
Weight:	11 kg
Colour:	black RAL 9005 30% gloss
Finish:	powder coated

### Truss wall mount 30 zinc plated

Article code:	RIHTWC30
EAN:	8720094422275
Max load:	400 kg
Material:	steel
Dimensions:	324 x 206 x 275 mm (L x W x H)
Weight:	11 kg
Colour:	silver
Finish:	zinc plated



**ADMIRAL**  
STAGING

| [www.admiralstaging.com](http://www.admiralstaging.com) | Josink Kolkweg 10 | 7545 PR Enschede | The Netherlands | Tel: +31 53 4 301 201 |