

# SNAKE

## CABLE GUIDE



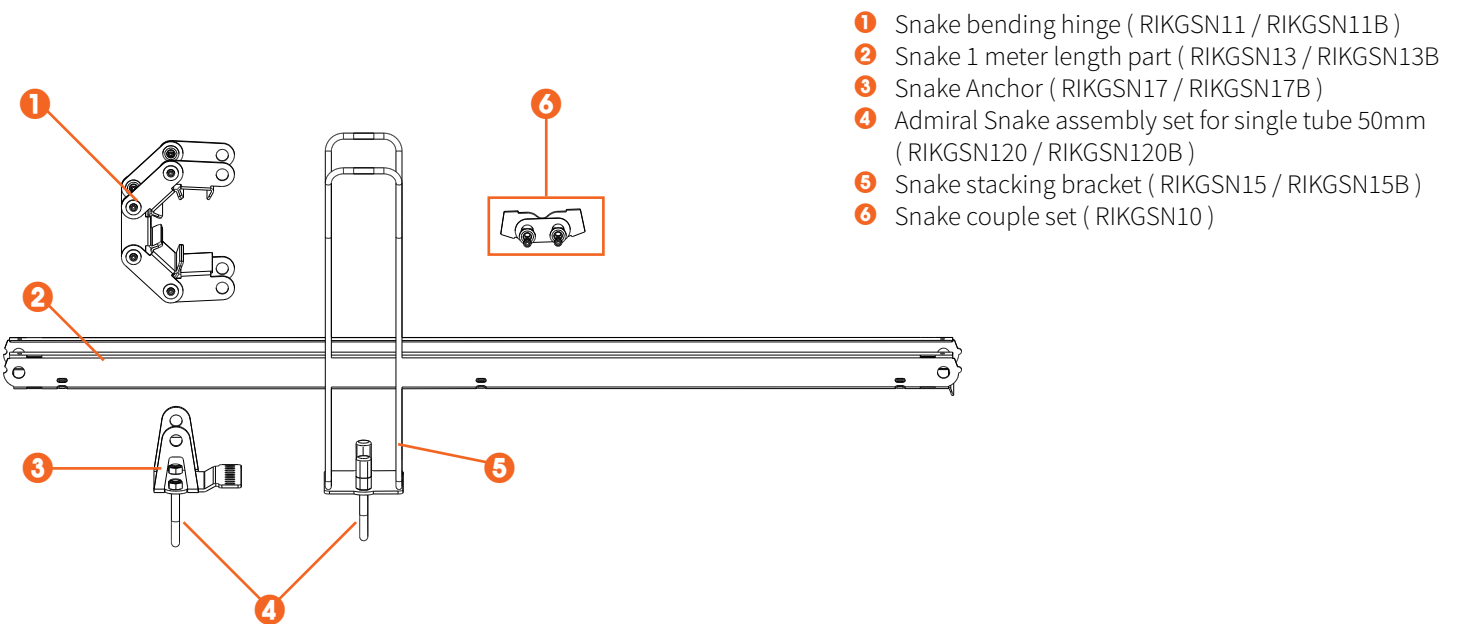
**Manufacturer:**

Rolight Theatertechniek B.V.  
Josink Kolkweg 18  
7545 PR Enschede , The Netherlands  
Phone (+31)53 432 06 44  
info@rolight.nl  
www.rolight.nl

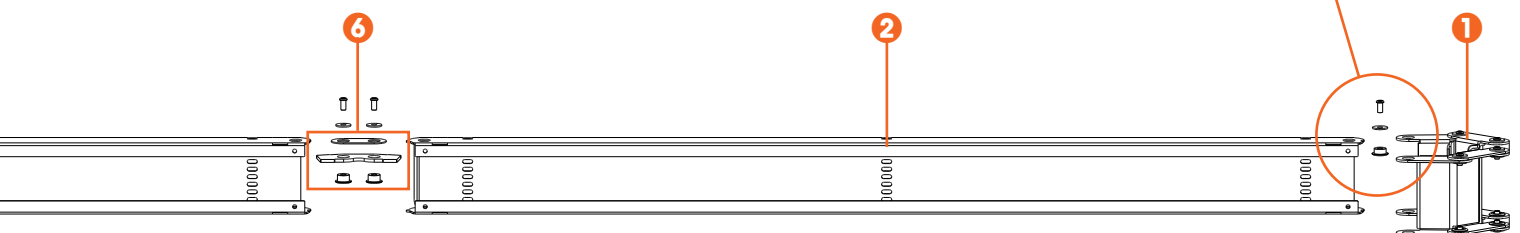
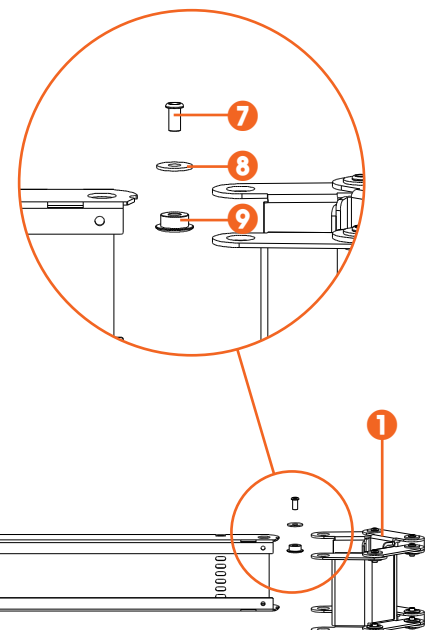
## 1. CONTENT

2.	PART IDENTIFICATION	Page 2
3.	ASSEMBLY DIAGRAM	Page 3
4.	CONNECTING THE PARTS	Page 4
5.	SAFETY INSTRUCTIONS	Page 5
8.	MAINTENANCE	Page 7
6.	COMPOSITIONS	Page 8 - 39

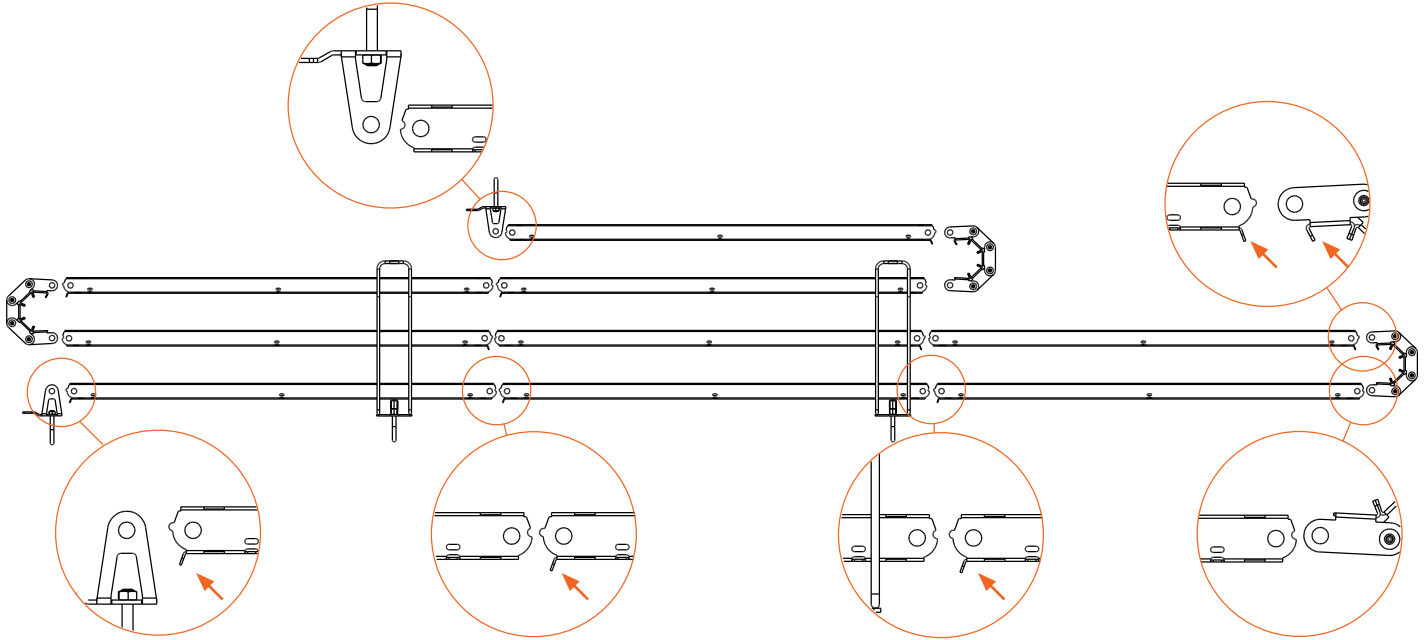
## 2. PART IDENTIFICATION



- 6 Snake couple set ( RIKGSN10 )  
 7 Rivet 4.8x 8mm aluminum ( TDNA0508P )  
 8 Metal ring 5.3x 15mm ( TDRI05C / TDRI05CB )  
 9 Snake brass bearing short ( ZEKGSN050 )



### 3. ASSEMBLY DIAGRAM



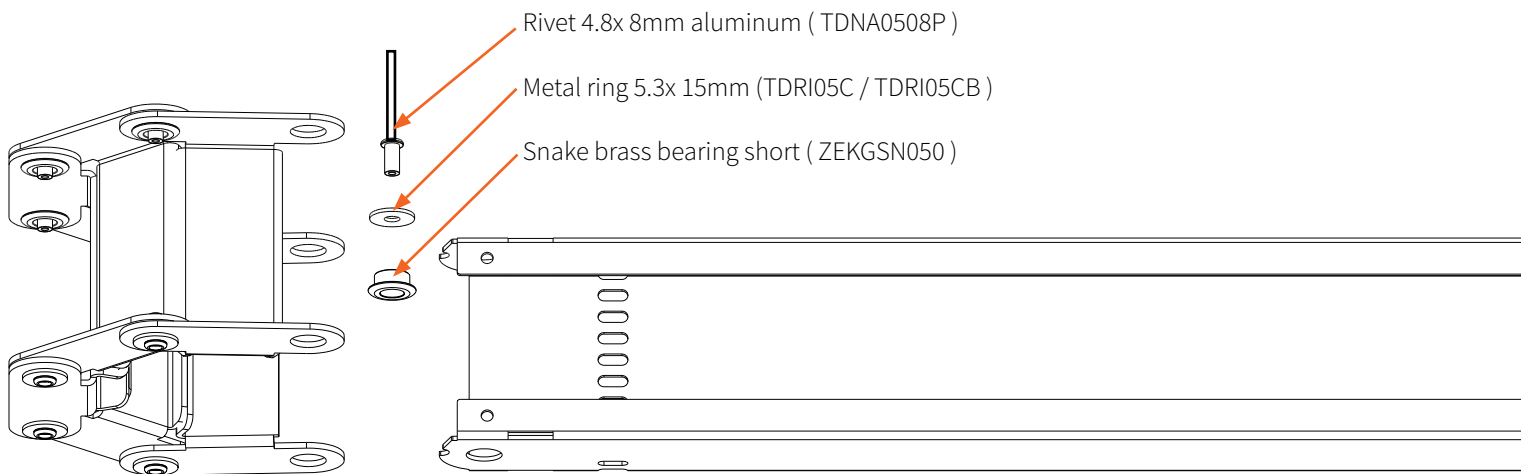
#### NOTICE

Take care of the lining of each individual length part. ( ↗ )

## 4. CONNECTING THE PARTS

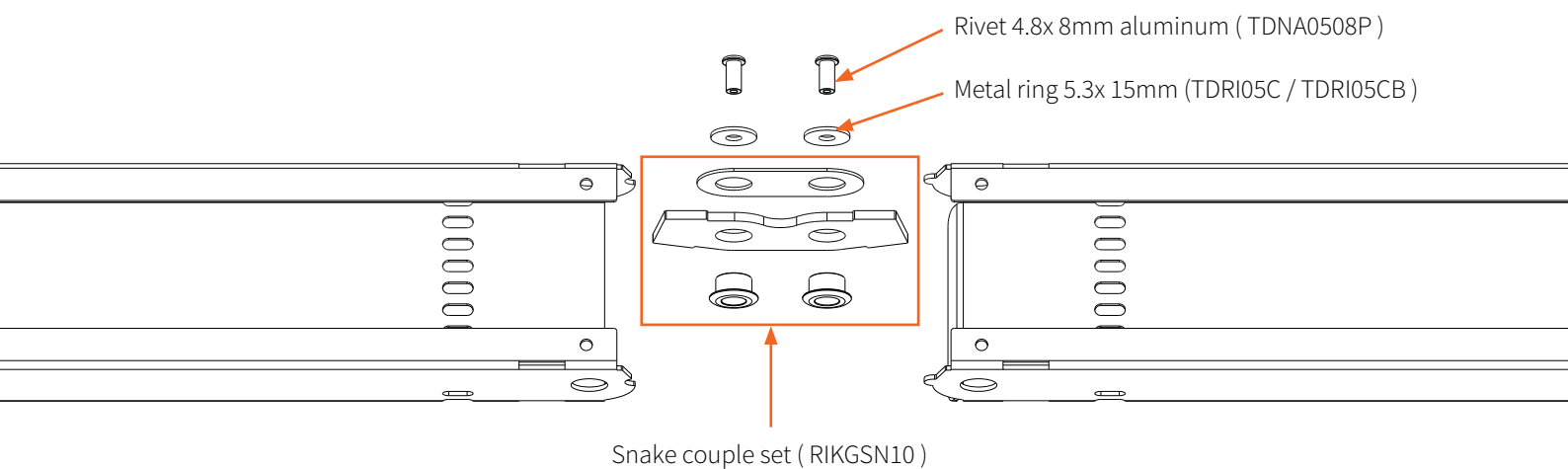
### Bending hinges and Anchors

For connecting both bending hinges and Anchors onto the length parts:  
 Use the **short** brass bearing



### 1 m length parts

For connection length parts in line:  
 Only use the **long** brass bearing ( supplied with the Snake couple set RIKGSN10 )

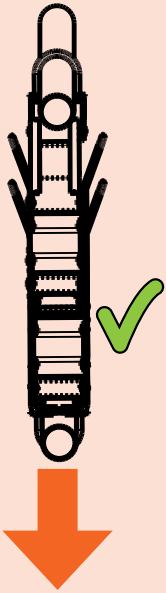


## 5. SAFETY INSTRUCTIONS

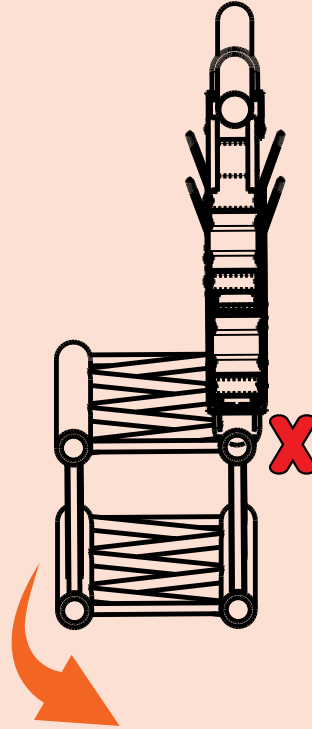
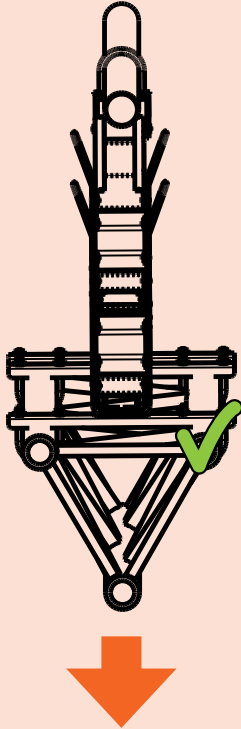
### Mounting the Snake

**⚠ WARNING**

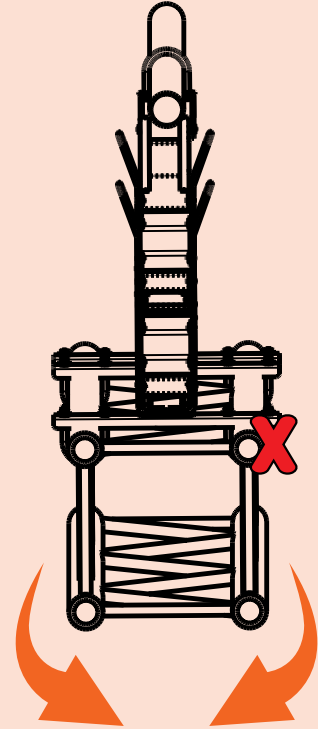
Mounting the snake:



Load in line with snake



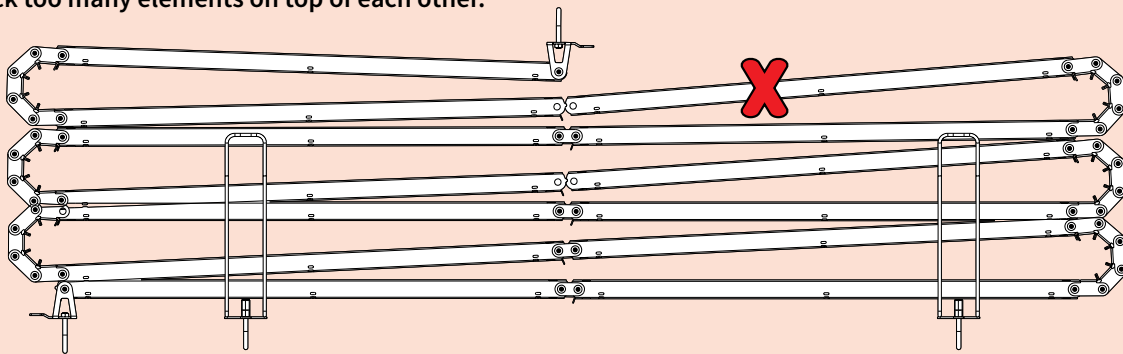
Don't load a-symmetrical under snake. (Rotation may occur)



### Mounting the Snake

**⚠ WARNING**

Don't stack too many elements on top of each other.



Stacking too many elements on top of each other will cause an unstable stack of Lenght parts. The Stacking brackets are too low for it and therefor not able to support the pile of elements. Furthermore, a high stack of elements will block your truss in the upper position. (Not being able to hoist the truss against the seiling)

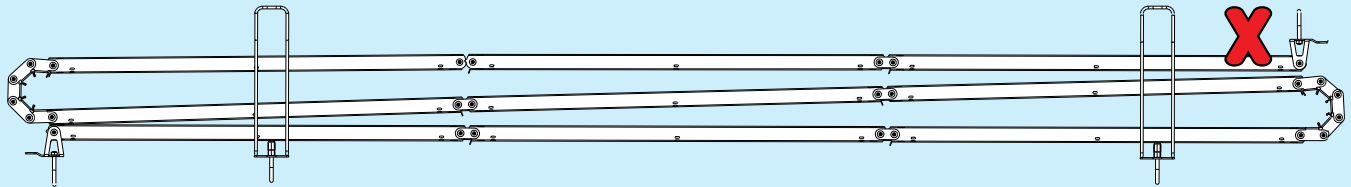
**NOTICE**

Use the compositions as shown on pages 6 to 12

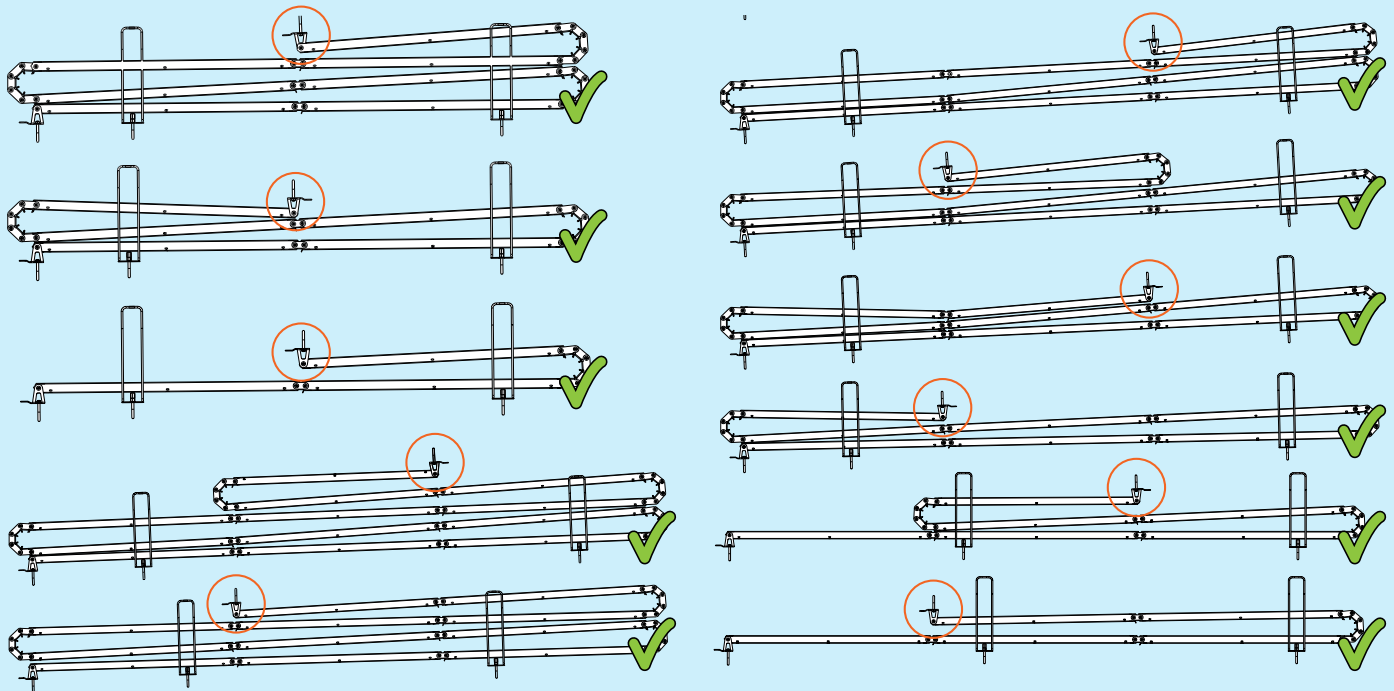
Mounting the top Ancor

**NOTICE**

Use the compositions as shown on pages 6 to 12



In order to minimize lateral movement of the snake, it is best to mount the hinges NOT on the ends of a snake. Make sure that the upper anchor point is in the middle as much as possible.



## 6. MAINTENANCE

### Periodical check

#### NOTICE

Periodical checks should be done at least every 6 months or after 200 hoisting / lowering movements of the system.

#### SAFETY INSTRUCTIONS

Check all parts regularly for dirt, damages , loss and corrosion.

Cables: Check the cables for wear. Check whether they do not show any strange forms at their surface which might indicate internal distortion or something comparable.

#### ⚠ WARNING

Situations that require immediate intervention by the supplier:

- Deformation / distortion of one or more of the metal parts of the cable guide.
- Loose connections.
- Cables that tighten during use.
- Grit of cables and/or metal parts in/on the construction.

#### ⚠ WARNING

Situations that require the immediate “shut-down” of the system:

- The missing of one or more elements of the system.
- A distinct presence of wear grit around or close to one of the hinges.
- Worn cables.
- Strong deformation/distortion of one of the metal parts.

### Annual Maintenance:

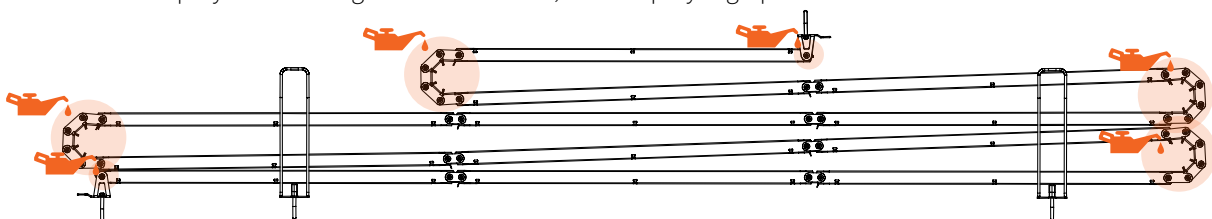
#### NOTICE

- Maintenance should be done once a year.
- Maintenance consists of the necessary periodical checks and the lubrication of the system

**1: See all points under “periodical checks”.**

**2: Lubrication**

The hinges are moving metal parts with a small space in between. These may be blown clean during the periodical maintenance. It is also recommended to spray a lubricating substance like oil, silicon spray or graphite.



#### ⚠ WARNING

Please inform your supplier immediately about any defects in the cable guide system.