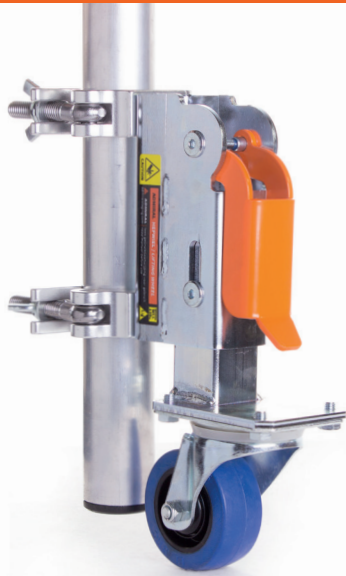




ADMIRAL
STAGING

LIFTING WHEEL

Our multifunctional Lifting wheel can be attached to stages, truss parts and other décor pieces up to 130 kg, allowing you to move them around smoothly. The wheel lifts 27 mm up and down and when lowered you can use the maximum load of your stagedeck.



3 WAYS TO USE

Stage riser

Mount the lifting wheel directly on square stage legs or use half couplers to mount it on round stage legs. In addition to that, it is even possible to mount it to two round legs using the mounting plate for the Lifting wheel. When no additional movement is required, lift the wheel off the floor and you can use the maximum load of your stage.

Truss mover

Mount the lifting wheel on your truss frame, such as a DJ booth, with a truss attachment and roll it easily on and off stage.

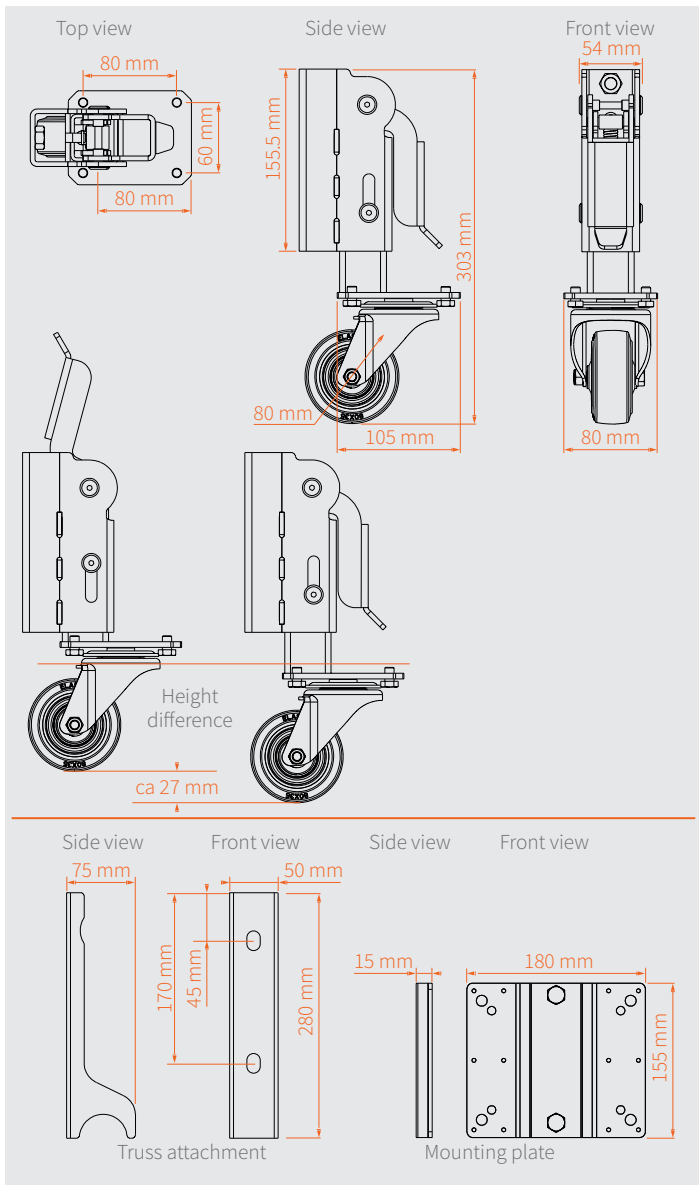
Box riser

Wooden boxes or other types of décor pieces can also be quickly moved around by attaching the wheel with a mounting plate attachment.

© Design registered in the EU

www.admiralstaging.com

DIMENSIONS



TECHNICAL DATA

Lifting wheel

Article code:	POPOAL04
EAN:	8720094420837
WLL:	130 kg
Castor:	80 mm swivel castor
Lifting height:	27 mm
Material:	2 mm zinc plated metal
Dimensions cm:	105 x 80 x 300
Weight:	2.95 kg

Truss attachment

Article code:	POPOALT4
EAN:	8720094420851
Suitable for:	truss 30; center to center 239 mm
Material:	2 mm zinc plated metal
Dimensions cm:	280 x 50 x 75
Weight:	0.7 kg

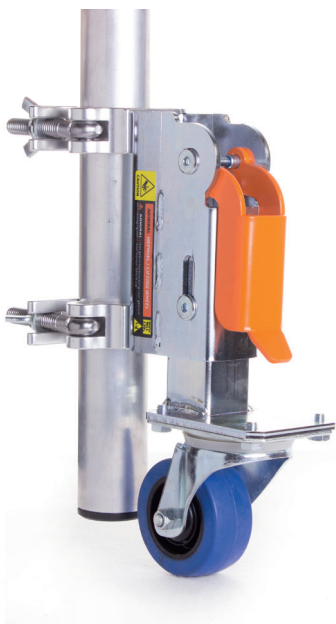
* half couplers not included

Mounting plate

Article code:	POPOALT2
EAN:	8720094420844
Holes:	4 x Ø 11 mm 4 x Ø 8.5 mm
Material:	5 mm zinc plated metal
Dimensions mm:	180 x 15 x 155
Weight:	0.9 kg

* half couplers not included

Ⓓ Design registered in the EU and UK



ADMIRAL
STAGING

| www.admiralstaging.com | Josink Kolkweg 10 | 7545 PR Enschede | The Netherlands | Tel: +31 53 4 301 201 |