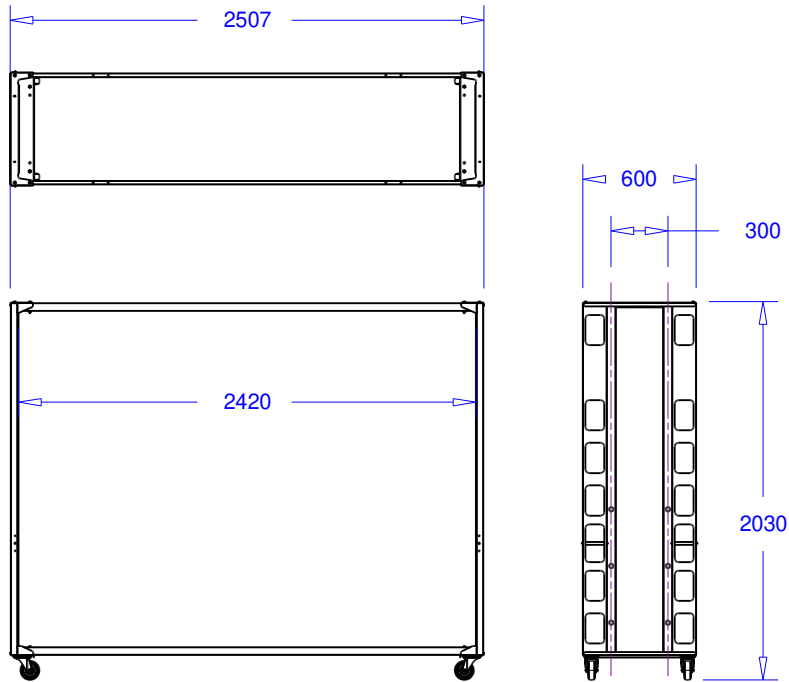
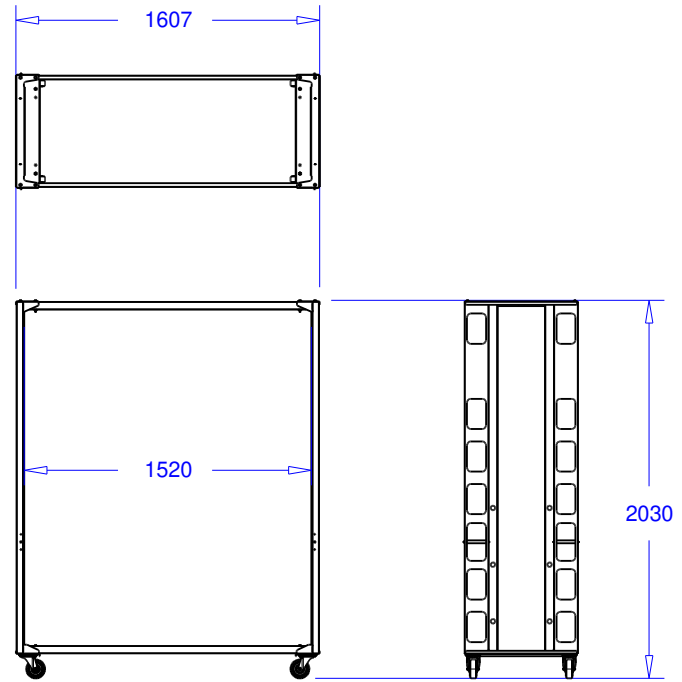


### Rack L=250

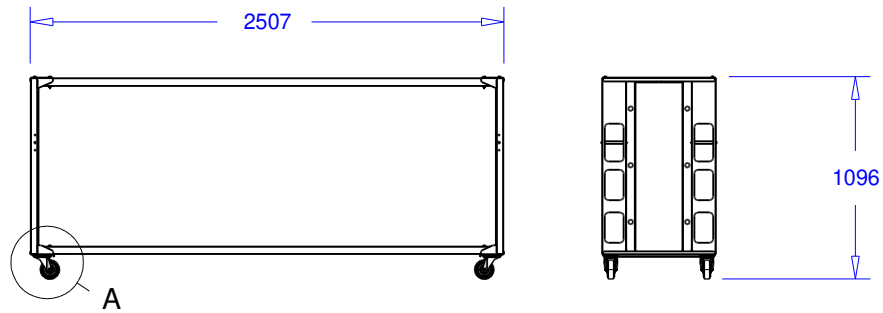


H 203  
L 250

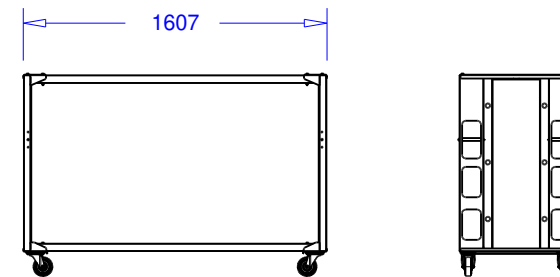
### Rack L=160



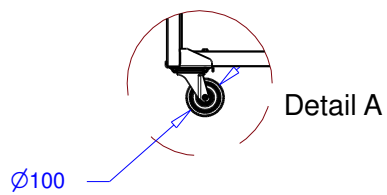
H 203  
L 160



H 110  
L 250



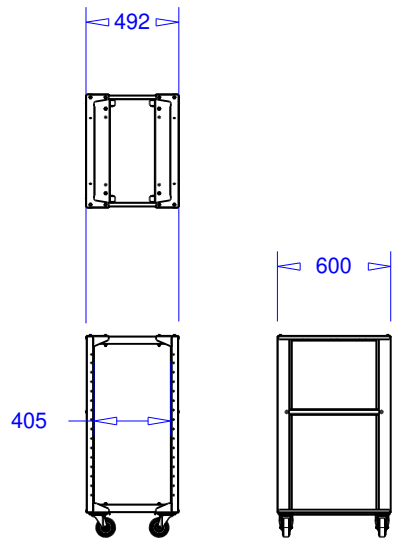
H 110  
L 160



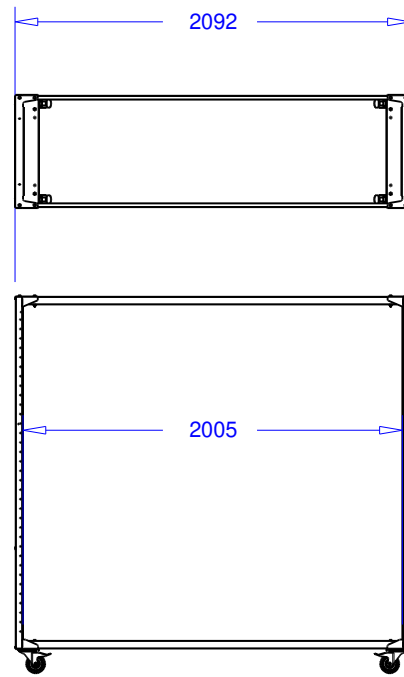
Product: General dimensions forksidepanel racks

Code:

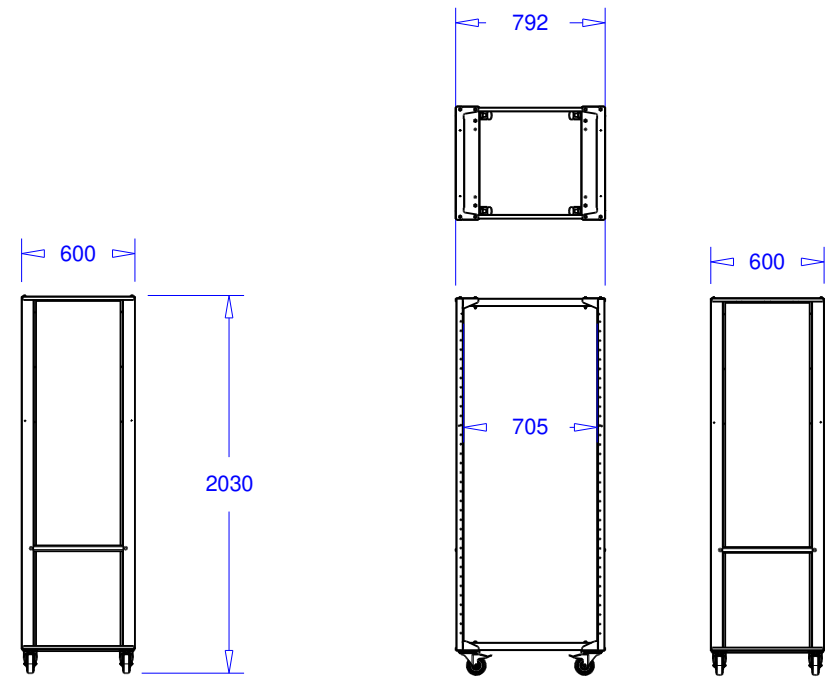
### Rack L=50



### Rack L=210



### Rack L=80



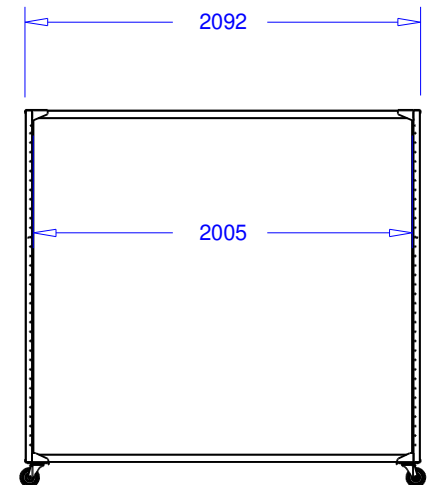
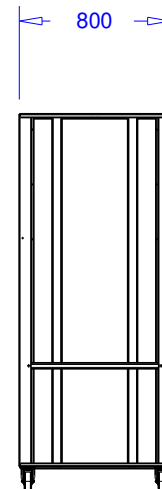
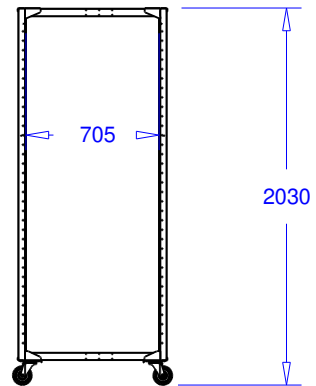
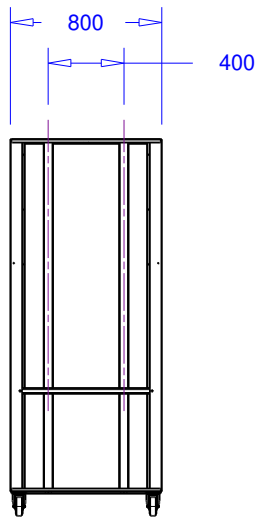
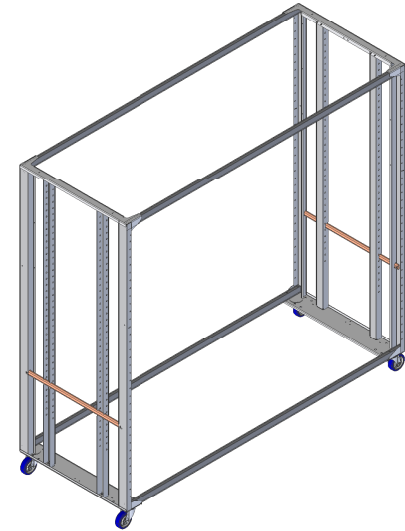
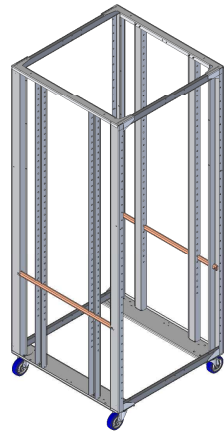
Product: General dimensions for side panel racks

Code:



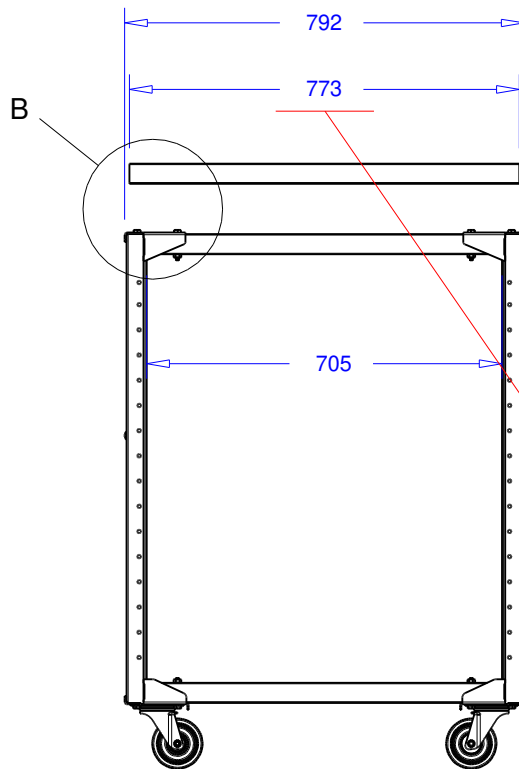
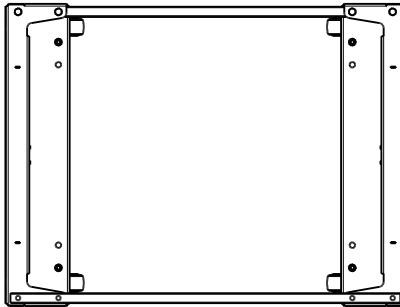
**ADMIRAL**  
STAGING ESSENTIALS

# 80 cm WIDE pannel



# How to calculate your own innerwith of a special rack?

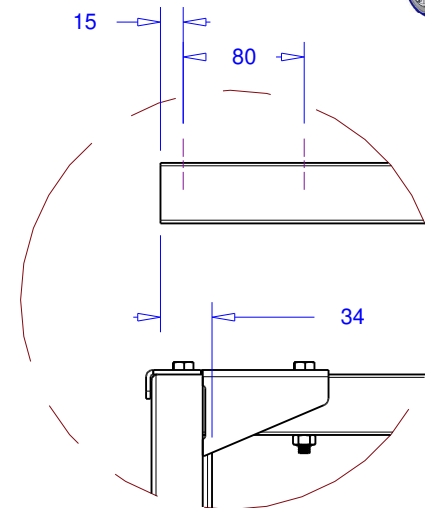
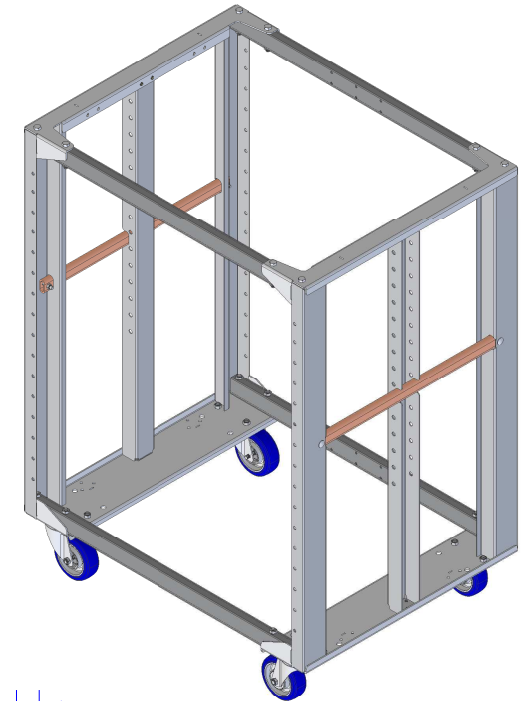
You can design a rack with your own innerdimension simply by using this calculation. This calculation can be applied for all Admiral racks.



## Calculate length tube:

= innerwith rack + (2x34mm)

$$705 + (2 \times 34) = 773 \text{ mm}$$



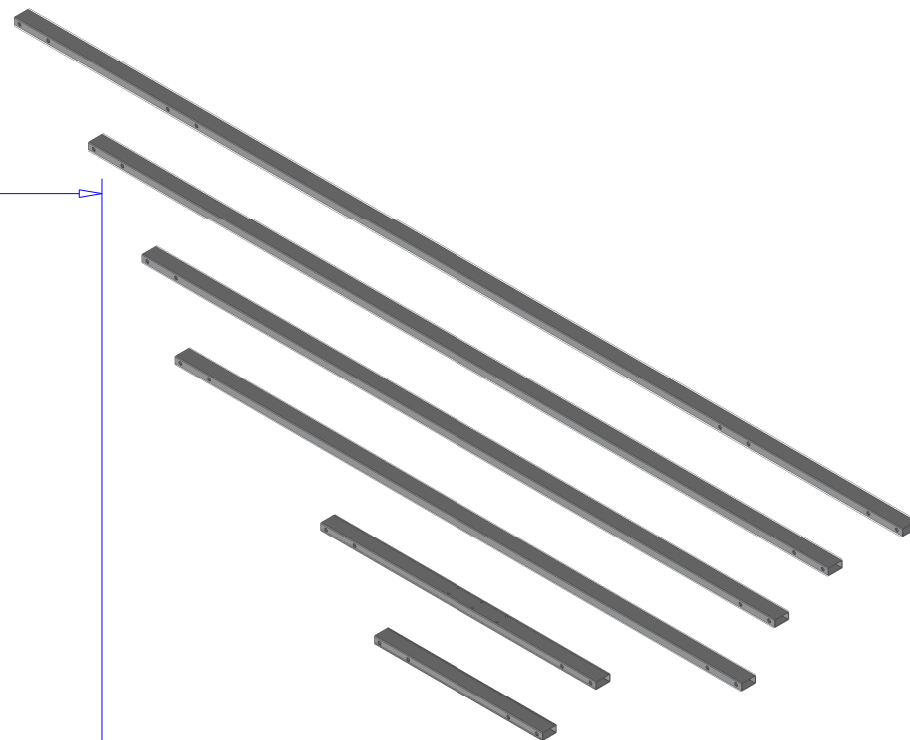
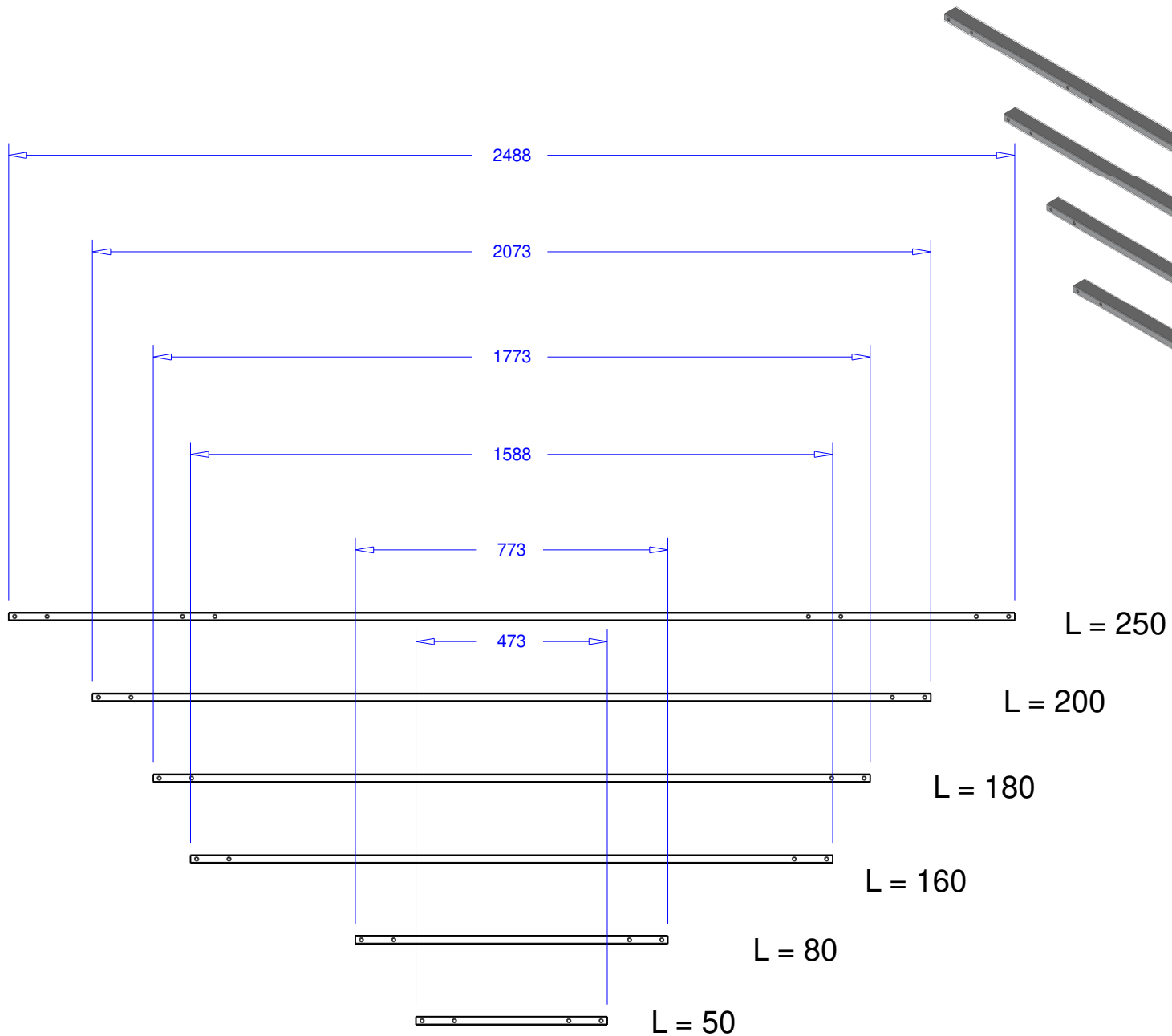
Detail B

Product:

Code:



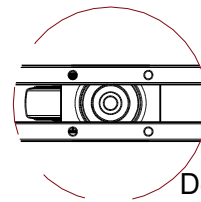
**ADMIRAL**  
STAGING ESSENTIALS



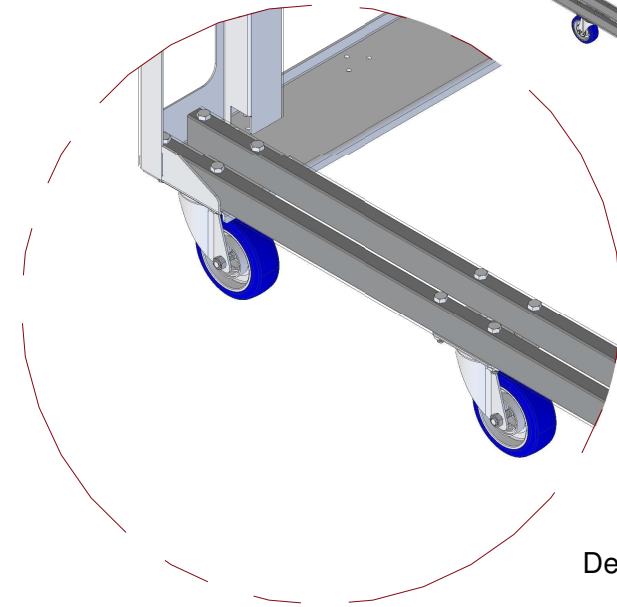
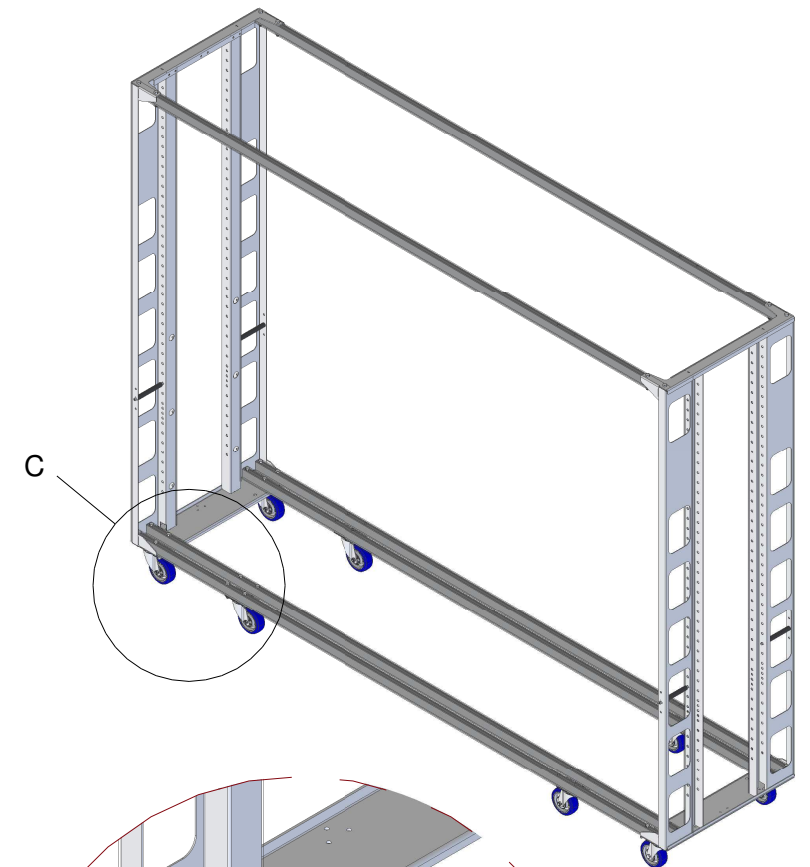
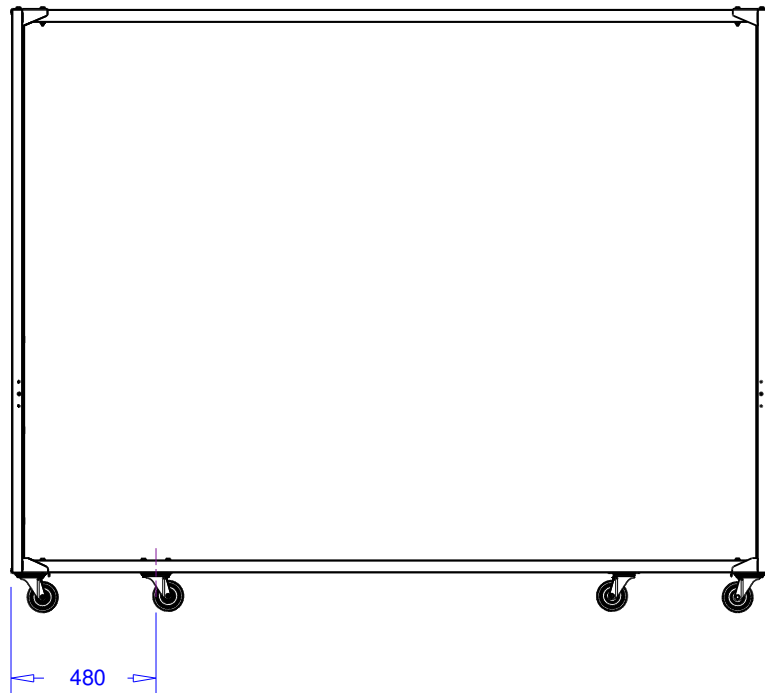
Product:	Standard length tubes	
Code:		

# Length tube L250 fitted with extra castor holes

In order to roll this rack onto a ramp,  
extra castors can be applied.  
Holes are provided as standard into the length tube L250  
(An extra set of length tubes needs to be ordered with a standard rack)



Detail D



Detail C