

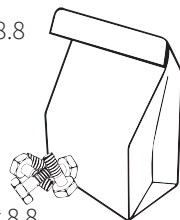
STAGE DECK DOLLY 1 AND 2 METER ASSEMBLY INSTRUCTIONS

SCOPE

The intended use of Stagedeck transporter is to transport 1 x 1 m (WASWCD15) or 1 x 2 m (WASWCD20) stage decks with a maximum of six pieces. Compatible with: Prolyte, Sixty82, Bütec ECO1

CONTENT

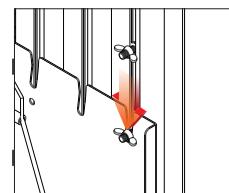
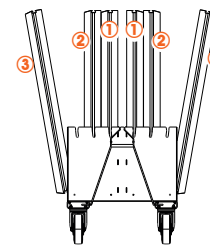
- 32x M6x 16 hexagon bolt 8.8
- 32x Nut M6 nylock
- 16x M8x 16 tap bolt 8.8
- 16x Nut M8 nylock
- 4x Wing nut M10 D316
- 4x M10x 20 hexagon bolt 8.8
- 4x Ring 10mm metal D = 25mm



LOADING

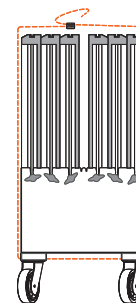
STEP 1

Load the decks from the inside out.



STEP 2

Lock your deck in the last slots with the bolts.



STEP 3

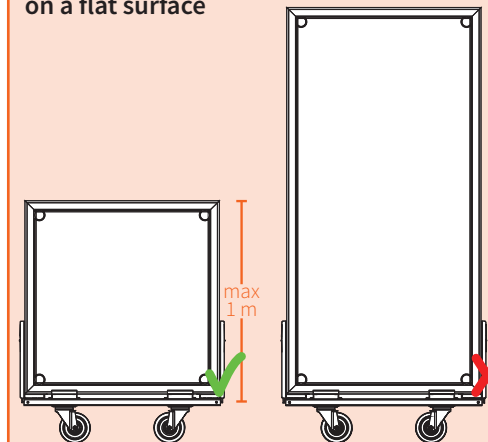
Use straps to secure the load.



WARNING

Never load higher than 1 m to prevent instability.

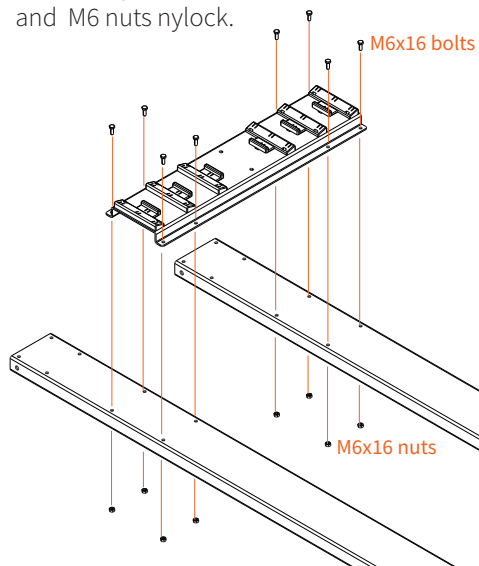
Always keep the transporter on a flat surface



ASSEMBLY

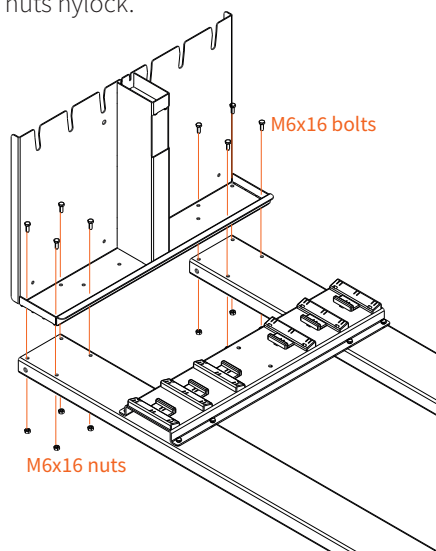
STEP 1

Assemble the omega stagedex plates on to the length profiles with the M6X16 bolts and M6 nuts nylock.



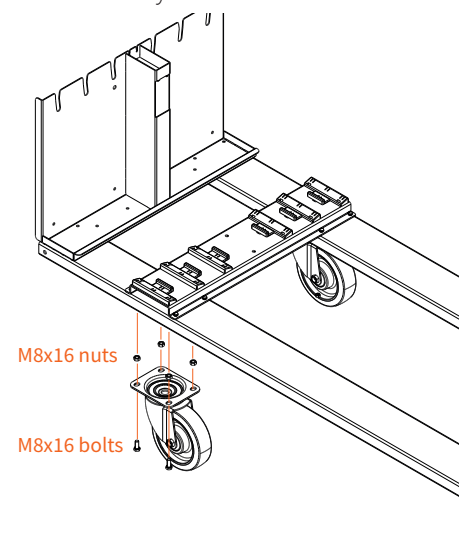
STEP 2

Now mount the side panels onto the Length profiles with the M6X16 bolts and M6 nuts nylock.



STEP 3

Assemble the wheels on the underside of the length profiles with the M8X16 bolts and M8 nuts nylock.



MAINTENANCE

The Stage deck transporter hardly needs any maintenance under normal use and environmental circumstances. For safety reasons however, all parts must be checked regularly for dirt, damages, loss and corrosion.

- Check all components for damage and corrosion. Damaged and corroded parts shall be rejected and thrown away.

Replaced component shall be genuine Admiral only.