

ASSEMBLY KIT BASEPLATE DOLLY

ZEM2SV32



Admiral Staging the Netherlands
www.admiralstaging.com +31 534 301 201

SCOPE

The intended use of the Baseplate dolly 2.0 is to transport baseplates. With 3 sizes holders available, this dolly can be assembled to fit different baseplate dimensions. You can choose 3 types of frames and 3 types of holders.

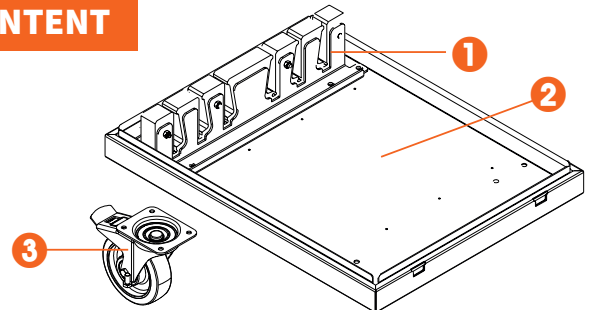
FRAMES

- For 73 x 73 cm baseplates
- For 80 x 80 cm baseplates
- For 100 x 100 cm baseplates

HOLDERS

- For 6 mm baseplates
- For 8 mm baseplates
- For 10 mm baseplates

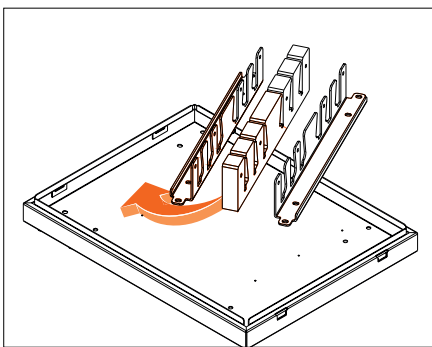
CONTENT



- 1 2 x holder: Baseplate holder PE block (6 / 8 / 10 mm)
ZEV LH061 / ZEV LH081 / ZEV LH101
- 2 1 x frame: Baseplate dolly frame (73 / 80 / 100 cm)
WAVLB073SB / WAVLB080SB / WAVLB100SB
- 3 4 x castor: Swivel castor 160 mm with brake WACS160A

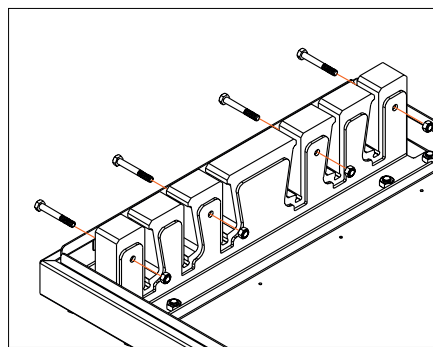
ASSEMBLY

STEP 1



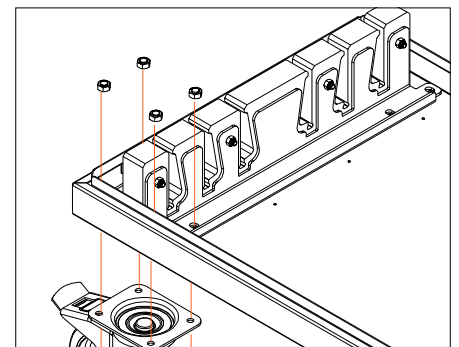
Place holder components onto the bottom of the frame.

STEP 2



Screw the holder components together.

STEP 2



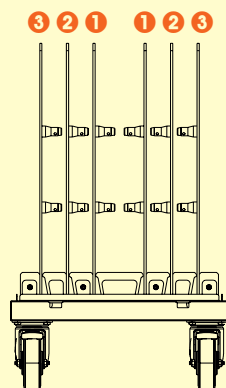
Assemble castors onto frame and holder.

CAUTION

LOADING SEQUENCE

Load from the inside to the outside.

Conical couplers facing inwards.



MAINTENANCE

The Baseplate dolly 2.0 hardly needs any maintenance under normal use and environmental circumstances. For safety reasons however, all parts must be checked regularly for dirt, damages, loss and corrosion.

- Check all components for damage and corrosion. Damaged and corroded parts shall be rejected and thrown away.

Replaced component shall be genuine Admiral only.